

Edition 1



Standard
products
catalogue
— 2020


MARmite

Table of contents



4

About us

6

Our facts

8

Laboratory

10

Material

24

Washbasins

90

Shower trays

26

Countertop washbasins

108

Bathtubs

52

Column washbasins

144

Colours

56

Furniture washbasins

146

Textures

74

Wallhung washbasins

148

Cleaning and care

80

**Barrier-free
solution washbasin**

150

**General sales
conditions**

82

Handwash washbasins

152

Index

About US



The company was founded over 45 years ago in Sweden and this is where our commitment to nature and aesthetics in design began. Today we continue to operate with these same values: creating high quality products with simple rules and production processes.



 Marmite US

 Marmite Łowryń Factory

 Marmite HQ and Zakrzewo Factory

We are present in 34 countries and employ more than 800 employees.
The company is experiencing a strong international growth phase. Marmite started the bathroom industry revolution with the introduction of extraordinary designs made using its own unique technology.

We are proud to have been awarded



finalista konkursu



2014

finalista konkursu



2016



Our facts



2

industrial plants

37

countries

75 000 m²

production area

45+

years of
experience

8

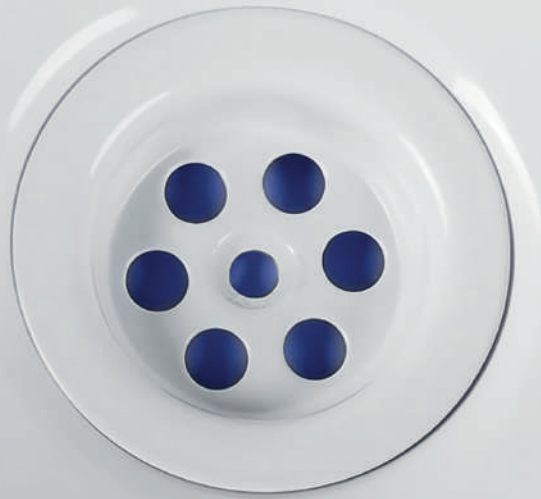
fully organised
production lines

800

employees

3

product
categories



Production capacity of

1 800 000

units/year production capacity

**Tailor made
solutions**

for your products

Laboratory

—
Marmite's products meet all legal standards and safety regulations required in the bathroom market.

The company has an internal laboratory which ensures the quality of products and is constantly working on further product innovations. We test all material components as well as the physical and chemical properties of all our products.



Our certifications



ISO
28000



ISO
14001



ISO
9001



CE
Product complies
with European
norms



Antibacterial
according
to ISO 22196



**ECO
packaging**
for shower
trays



**Resistance to changes
of temperature**
According to European
Norm EN 14688,
EN 14527 and EN 14516



**Sound
insulative**
VDI 4100 and
DIN 4109 norm

For more details please visit:
<https://www.marmite.eu/material/certificates/>

MINERAL COMPOSITE





MINERAL COMPOSITE

Some 250 million years ago the Earth was a place of much greater volcanic activity than today.

Limestone strata were transformed into dolomite under high temperatures and enormous pressures. This rock is very hard and durable material with superior characteristics.



Thanks to technology developed by Marmite, rock that was formed millions of years ago is turned into resistant and beautiful modern products. The combination of dolomite and elastic resin imparts unparalleled durability and impact-resistance to Mineral Composite.

The resin also provides unlimited possibilities for moulding products made from this technology.





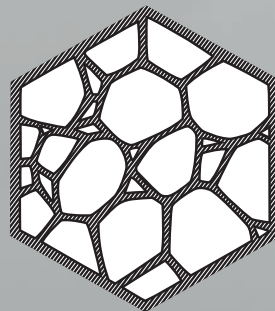
MINERAL COMPOSITE

The external surface is covered with nanocoat. This type of coating is also applied to the surface of yacht hulls and wind turbine blades – places exposed to constant contact with the elements of wind and water.



nanocoat
min. 0,5 mm

base =
min. 7 mm



dolomite
+
resin

Material



Its main constituent is calcium and magnesium carbonate – $\text{CaMg}(\text{CO}_3)_2$ – a snow-white mineral with a crystalline structure. Mineral Composite is a material that fully utilises the extraordinary properties of dolomite.

75%

dolomite
stone



25%
resin

MINERAL
COMPOSITE

by  **MARMITE**

MINERAL COMPOSITE



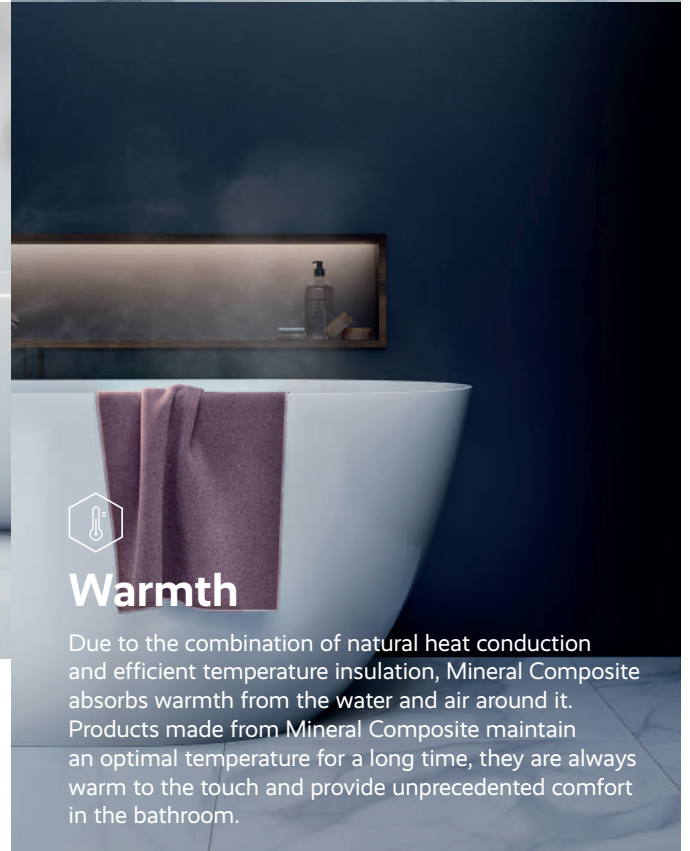
Durability

Mineral Composite is a unique structure, where the dolomite stone is reinforced with flexible binder of resin which ensures resistance under load, damage from impact and the effects of high and low temperatures. It guarantees security of transport, installation and everyday use. Products remain in a brand-new condition for many years.



Precision

With a 0-3 mm tolerance, and a minimum radius of 2 mm, Mineral Composite enables an extensive range of shapes to be created that frees up the imagination of designers. Radiuses, dimensions and edges cease to be a challenge and material precision is easy to achieve. Perfect fit to furniture and shower enclosures go beyond any other traditional material.



Warmth

Due to the combination of natural heat conduction and efficient temperature insulation, Mineral Composite absorbs warmth from the water and air around it. Products made from Mineral Composite maintain an optimal temperature for a long time, they are always warm to the touch and provide unprecedented comfort in the bathroom.



Design Flexibility

The material's innovative structure gives freedom of form, therefore countless designs are available. It offers a variety of absolutely unique shapes in classic and modern style. Natural stone surfaces and thin walls are the elements of excellence that set Mineral Composite apart.



Superior Finish

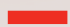
Thanks to smooth Finish, Mineral Composite products are always pleasant to the touch. Our sinks, shower pans and bathtubs are resistant to even the most extreme conditions due to the inherent strength of the nanocoat surface. Its imperviousness to bacterial growth, absorption of water and chemical substances, ensures long lasting quality and ease of care.



Sound Insulation

Mineral Composite offers exceptional acoustic absorption. This feature comes from the high particle density of the material. It prevents the sound of water striking a surface, and so improves living comfort and convenience of use significantly.

Antibacterial solution

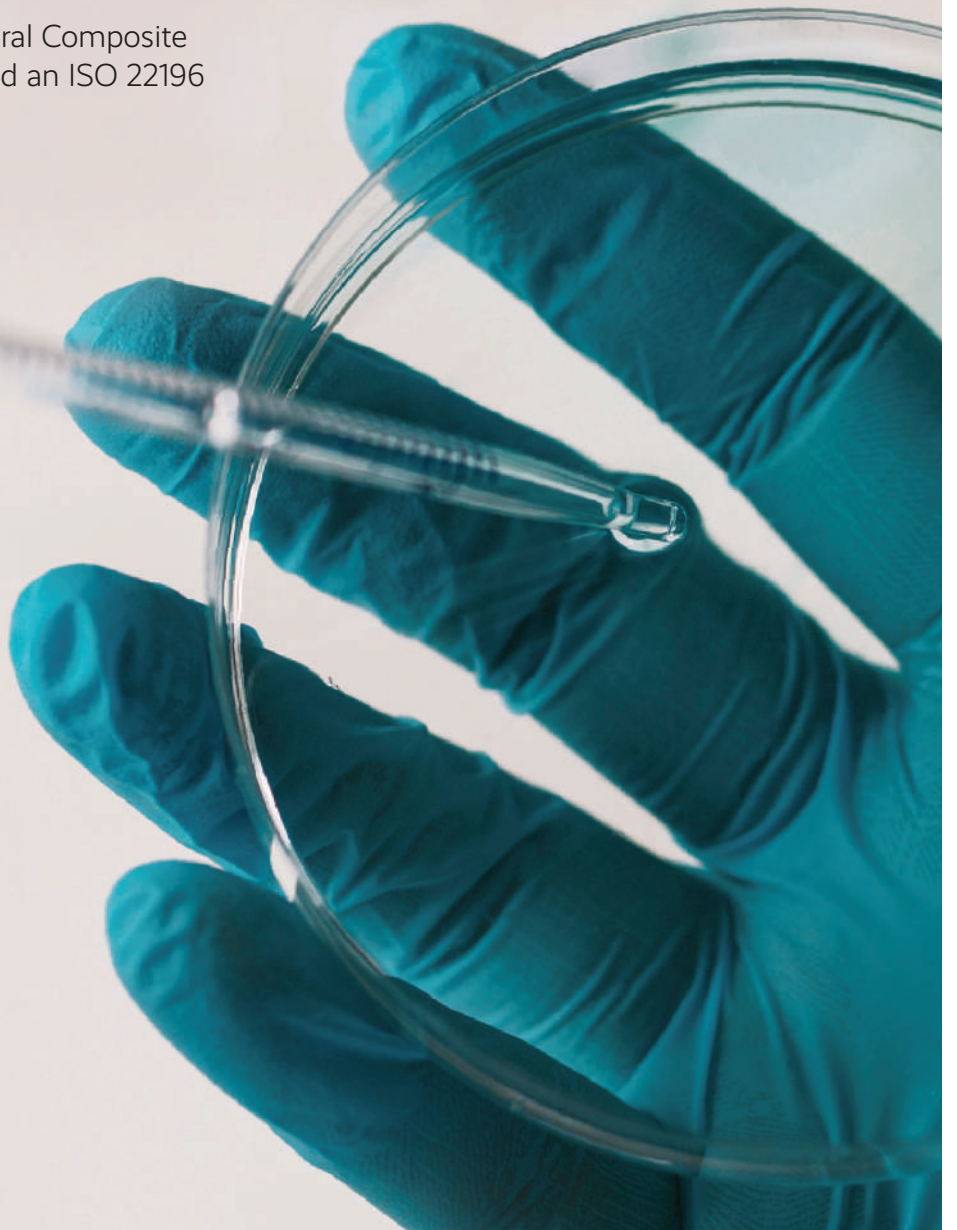


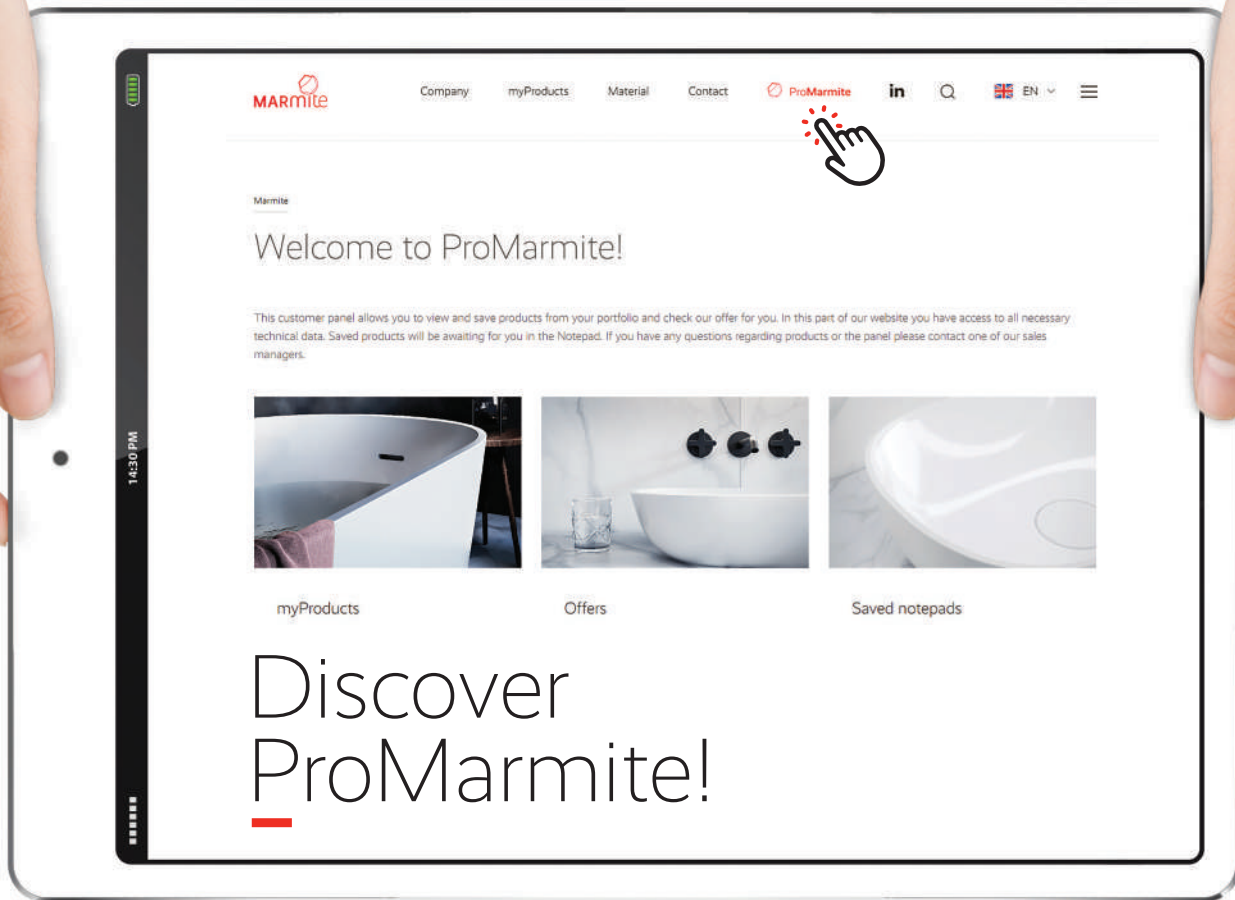
Thanks to the nanocoat external surface, washbasins, bathtubs, shower trays made of Mineral Composite are perfectly smooth and without fissures or micro-holes invisible to the human eye.

The products prevent bacteria and germs from growing. Therefore using regular cleaning agents (cream cleansers, soap or even water with vinegar) will suffice to remove bacteria completely.

In Marmite, we use an independent laboratory to test the Mineral Composite surfaces. In laboratory conditions, products are covered with bacteria, among them staphylococcus and E. coli, and left for at least 24 hours. Next, we check how much of the bacteria remains on the surface after using a typical household detergent. Nothing, or almost nothing remains from several dozen or, in some cases, several hundred bacteria units per square cm.

This is why Mineral Composite has been awarded an ISO 22196 certificate.





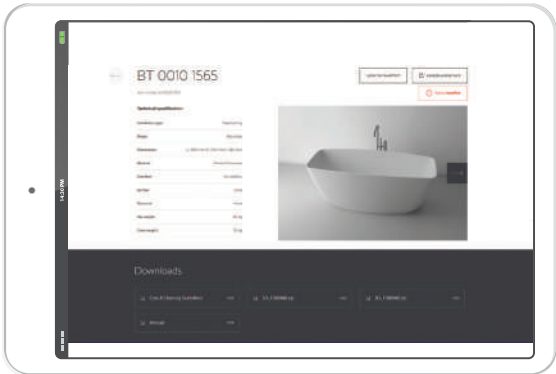
To provide easy and quick access to our product portfolio we developed an e-business tool for our customers - ProMarmite. It allows you view and save products from our market-dedicated portfolio. In this part of our website you also have access to all necessary technical data. It's available to log into from any device, including smartphone, PC and tablet.

To get access to the ProMarmite platform please contact our sales team.

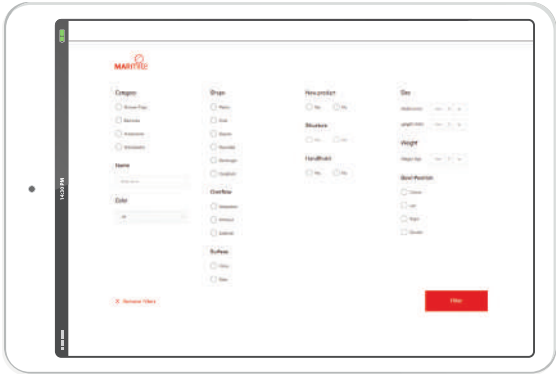
ProMarmite offers you:



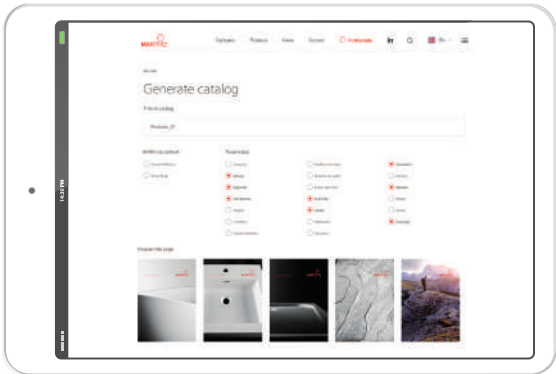
- access to detailed 2D and 3D files (CAD: DWG)



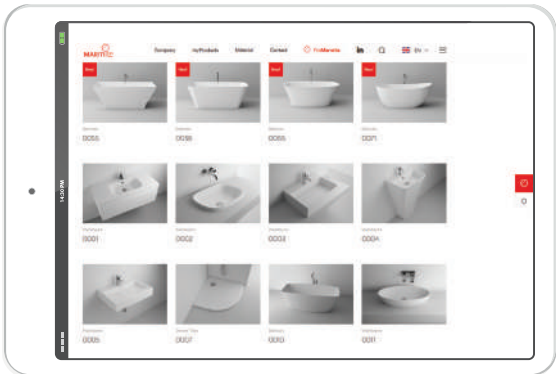
- expanded searching options in order to make it easier to find specific products



- possibility of creating catalogues and notes, which can be edited at any time



- more products visible, especially those for specific markets





Smooth



Durable



Possible to
clean with
natural
agents



Precise in
diameters
and radiuses



Large variety
of shapes
and dimensions



Repairable



Pleasant
to the touch



Resistant
to loss of gloss



Easy to
clean





— Washbasins

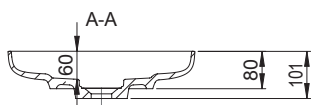
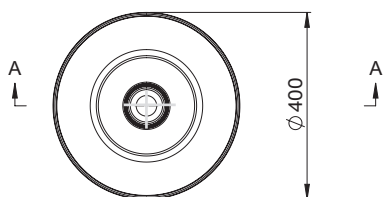
Countertop washbasins



WB 0508 400C

Countertop

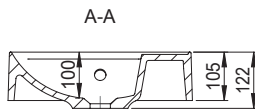
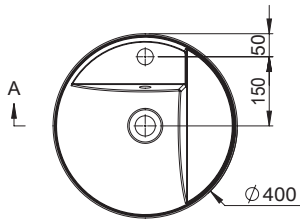
Washbasins



Item no.	625417040033
Finish	matt
Size (mm)	400x400x101
Bowl depth (mm)	60
Weight (kg)	4
Overflow	no
Quantity on pallet	52



WB 0509
400C



Item no.	625418041103
Finish	gloss
Size (mm)	400x400x122
Bowl depth (mm)	100
Weight (kg)	8
Overflow	external
Quantity on pallet	44

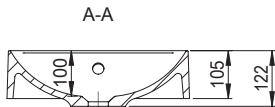
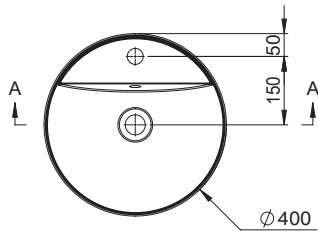
Included accessories

Standard washbasin overflow





WB 0512 400C



Item no.	613527041103
Finish	gloss
Size (mm)	400x400x122
Bowl depth (mm)	100
Weight (kg)	8
Overflow	external
Quantity on pallet	48

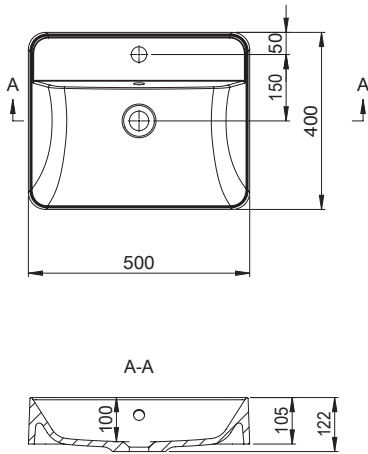
Included accessories

Standard washbasin
overflow





WB 0512 500C



Item no.	625406051103
Finish	gloss
Size (mm)	500x400x122
Bowl depth (mm)	100
Weight (kg)	11
Overflow	external
Quantity on pallet	48

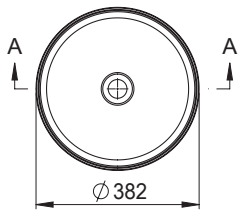
Included accessories

Standard washbasin overflow

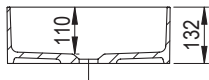




WB Olga 382C



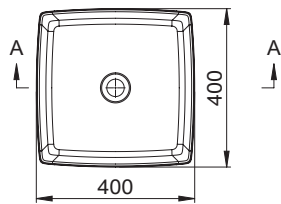
A-A



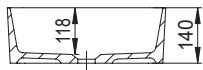
Item no.	624805041003
Finish	gloss
Size (mm)	382x382x132
Bowl depth (mm)	110
Weight (kg)	6
Overflow	no
Quantity on pallet	48



WB Olga 400C



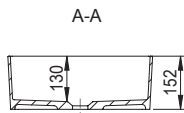
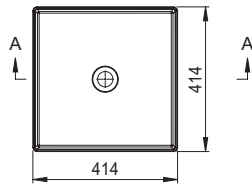
A-A



Item no.	624820041003
Finish	gloss
Size (mm)	400x400x140
Bowl depth (mm)	118
Weight (kg)	9
Overflow	no
Quantity on pallet	36



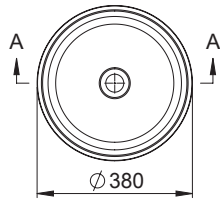
WB Olga
414C



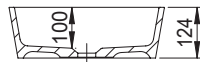
Item no.	624896041003
Finish	gloss
Size (mm)	414x414x152
Bowl depth (mm)	130
Weight (kg)	8
Overflow	no
Quantity on pallet	44



WB 0013
380C



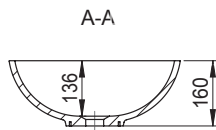
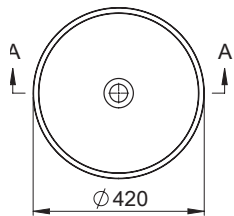
A-A



Item no.	624878041003
Finish	gloss
Size (mm)	380x380x124
Bowl depth (mm)	100
Weight (kg)	6
Overflow	no
Quantity on pallet	48



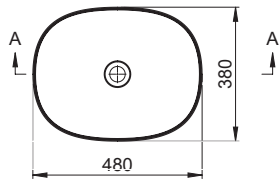
WB Mona 420C



Item no.	601142041003
Finish	gloss/matt
Size (mm)	420x420x160
Bowl depth (mm)	136
Weight (kg)	5
Overflow	no
Quantity on pallet	50



WB Octavia 480C



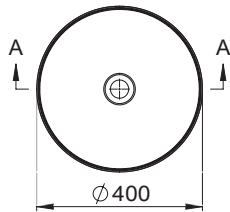
A-A



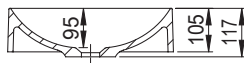
Item no.	600174051003
Finish	gloss/matt
Size (mm)	480x380x117
Bowl depth (mm)	95
Weight (kg)	8
Overflow	no
Quantity on pallet	60



WB Octavia 400C



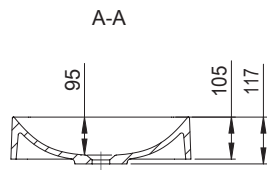
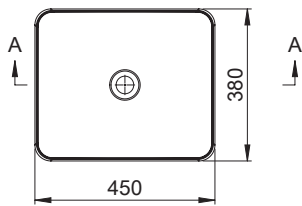
A-A



Item no.	600173041003
Finish	gloss/matt
Size (mm)	400x400x117
Bowl depth (mm)	95
Weight (kg)	7
Overflow	no
Quantity on pallet	61



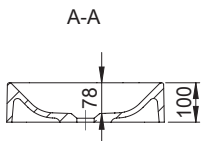
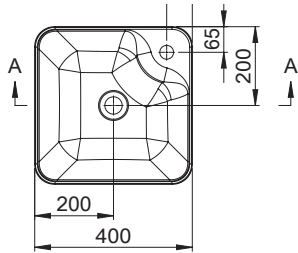
WB Octavia 450C



Item no.	600190051003
Finish	gloss/matt
Size (mm)	450x380x117
Bowl depth (mm)	95
Weight (kg)	9
Overflow	no
Quantity on pallet	48



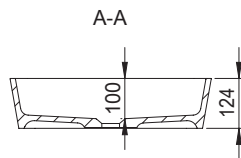
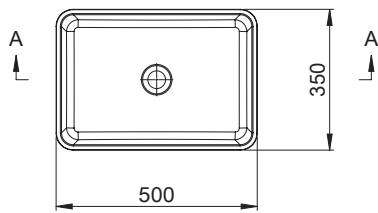
WB 0101
400C



Item no.	624863041103
Finish	gloss/matt
Size (mm)	400x400x100
Bowl depth (mm)	78
Weight (kg)	9
Overflow	no
Quantity on pallet	52



WB 0012 500C

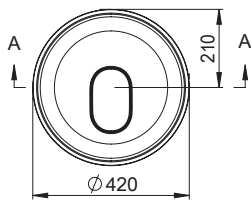


Item no.	624877051003
Finish	gloss
Size (mm)	500x350x124
Bowl depth (mm)	100
Weight (kg)	9
Overflow	no
Quantity on pallet	40

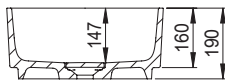




WB 0506 420C



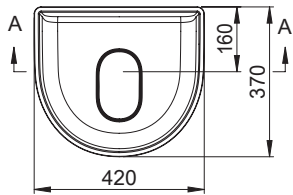
A-A



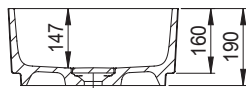
Item no.	624818040003
Finish	gloss
Size (mm)	420x420x190
Bowl depth (mm)	147
Weight (kg)	12
Overflow	no
Quantity on pallet	32



WB 0506 370C



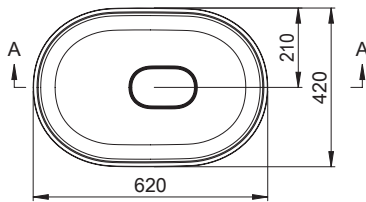
A-A



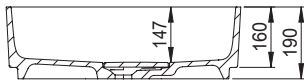
Item no.	624818041003
Finish	gloss
Size (mm)	370x420x190
Bowl depth (mm)	147
Weight (kg)	12
Overflow	no
Quantity on pallet	28



WB 0506 620C



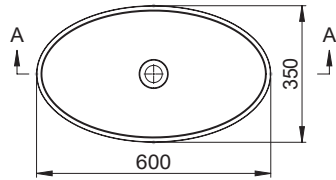
A-A



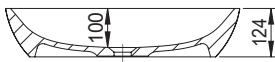
Item no.	624818061003
Finish	gloss
Size (mm)	620x420x190
Bowl depth (mm)	147
Weight (kg)	17
Overflow	no
Quantity on pallet	20



WB 0011
600C



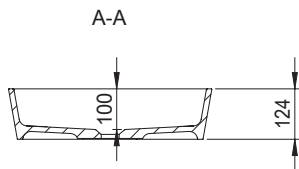
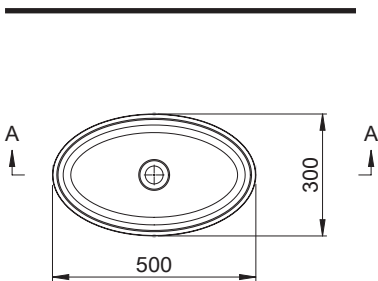
A-A



Item no.	624876061003
Finish	gloss
Size (mm)	600x350x124
Bowl depth (mm)	100
Weight (kg)	11
Overflow	no
Quantity on pallet	32



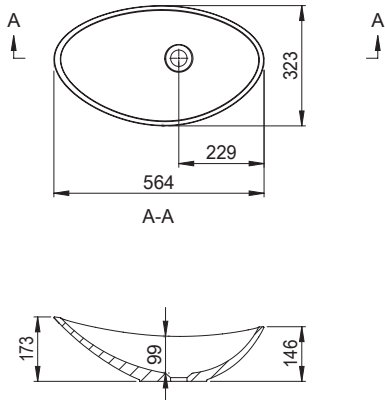
WB 0011
500C



Item no.	624876051003
Finish	gloss
Size (mm)	500x300x124
Bowl depth (mm)	100
Weight (kg)	6
Overflow	no
Quantity on pallet	40



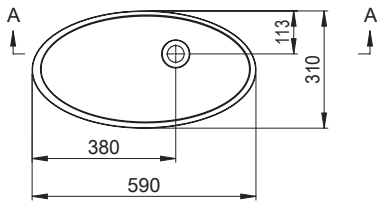
WB Grace 564C



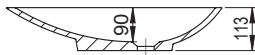
Item no.	600164060003
Finish	gloss
Size (mm)	564x323x173
Bowl depth (mm)	98
Weight (kg)	6
Overflow	no
Quantity on pallet	36



WB Grace 590C



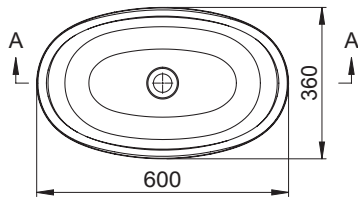
A-A



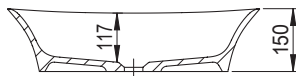
Item no.	612148061003
Finish	gloss/matt
Size (mm)	590x310x113
Bowl depth (mm)	90
Weight (kg)	5
Overflow	no
Quantity on pallet	42



WB 0017 600C



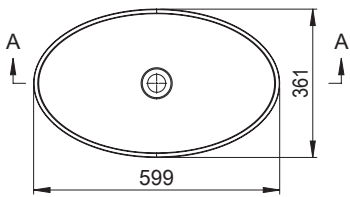
A-A



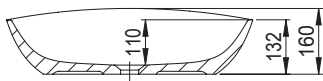
Item no.	631212061003
Finish	gloss
Size (mm)	600x360x150
Bowl depth (mm)	117
Weight (kg)	8
Overflow	no
Quantity on pallet	50



WB 0040 600C



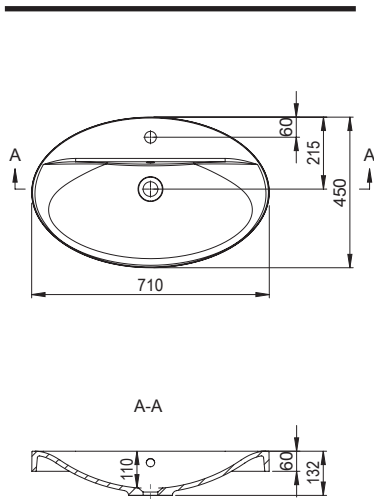
A-A



Item no.	631211061003
Finish	gloss
Size (mm)	599x361x160
Bowl depth (mm)	110
Weight (kg)	9
Overflow	no
Quantity on pallet	50



WB 0100 710C



Item no.	624859071103
Finish	gloss
Size (mm)	710x450x132
Bowl depth (mm)	110
Weight (kg)	10
Overflow	external
Quantity on pallet	32

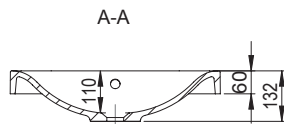
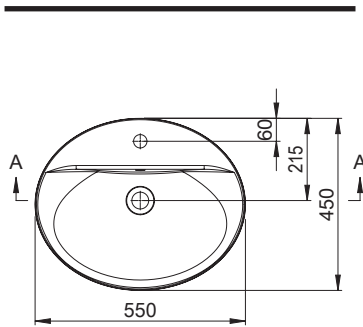
Included accessories

Standard washbasin overflow





WB 0100
550C



Item no.	624859061103
Finish	gloss
Size (mm)	550x450x132
Bowl depth (mm)	110
Weight (kg)	9
Overflow	external
Quantity on pallet	40

Included accessories

Standard washbasin overflow

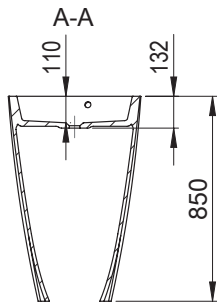
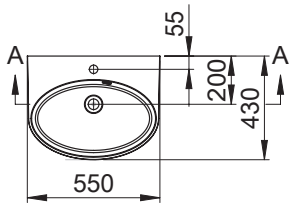


Column washbasins



WB 0011

550C

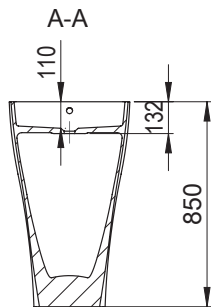
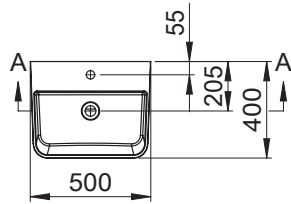


Item no.	624855061103
Finish	gloss
Size (mm)	550x430x850
Bowl depth (mm)	110
Weight (kg)	28
Overflow	external
Quantity on pallet	4

Included accessories

Standard washbasin overflow





Item no.	624865051103
Finish	gloss
Size (mm)	500x400x850
Bowl depth (mm)	110
Weight (kg)	29
Overflow	external
Quantity on pallet	4

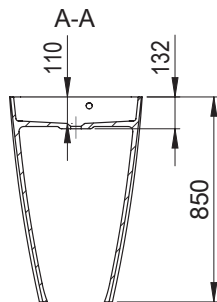
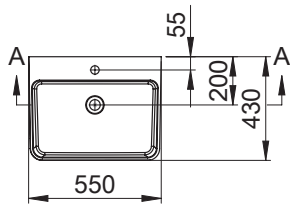
Included accessories

Standard washbasin overflow





WB 0012
550C



Item no.	624854061103
Finish	gloss
Size (mm)	550x430x850
Bowl depth (mm)	110
Weight (kg)	33
Overflow	external
Quantity on pallet	4

Included accessories

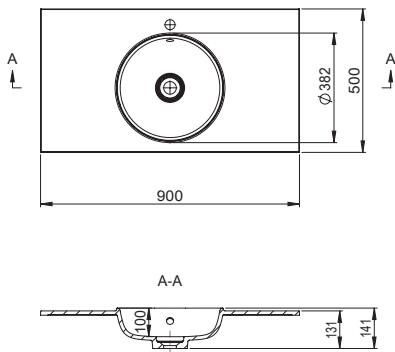
Standard washbasin overflow



Furniture washbasins



WB 0519 900C

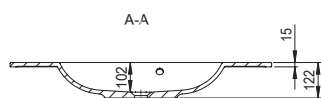
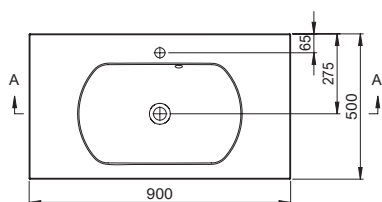


Item no.	625491091133
Finish	matt
Size (mm)	900x500x141
Bowl depth (mm)	100
Weight (kg)	15
Overflow	no
Quantity on pallet	21



WB Estella

WB Estella 900C



Item no.	601071091103
Size (mm)	900x500x122
Weight (kg)	14
Quantity on pallet	32

General features

Finish gloss



bowl depth 102

Overflow external

Included accessories

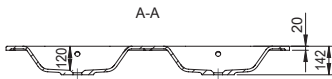
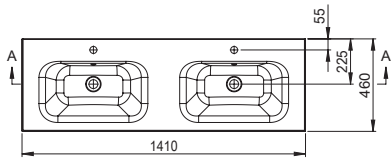
Standard washbasin overflow



Washbasins	Item no.	Size (mm)	Weight (kg)	Quantity on pallet	
	Estella 600 C	601071061103	600x500x122	10	32
	Estella 700 C	601071071103	700x500x122	11	32
	Estella 900 C	601071091103	900x500x122	14	32
	Estella 1200 C	601071121103	1200x500x122	18	18
	Estella 1200 D	601071124203	1200x500x122	20	18
	Estella 1400 D	601071144203	1400x500x122	20	18



WB 0001
1410D



Item no.	624840144203
Size (mm)	1410x460x142
Weight (kg)	21
Quantity on pallet	15





General features

Finish	gloss/matt
Bowl depth (mm)	120
Overflow	external

Included accessories

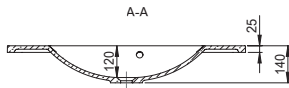
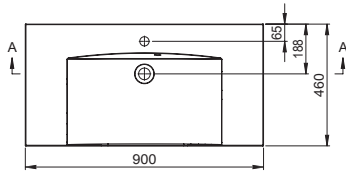
Standard washbasin overflow



Washbasins	Item no.	Size (mm)	Weight (kg)	Quantity on pallet	
	WB 0001 F 610C	624840061103	610x460x142	9	28
	WB 0001 F 710C	624840071103	710x460x142	11	28
	WB 0001 F 750C	624889081003	750x460x142	11	28
	WB 0001 F 810C	624840081103	810x460x142	12	28
	WB 0001 F 900C	624889091003	900x460x142	13	28
	WB 0001 F 910C	624858091103	910x460x142	13	28
	WB 0001 F 1010C	624840101103	1010x460x142	15	21
	WB 0001 F 1210C	624889121003	1210x460x142	17	15
	WB 0001 F 1500C	624889151003	1500x460x142	21	10
	WB 0001 F 1010L	624840103103	1010x460x142	14	21
	WB 0001 F 1210L	624840123103	1210x460x142	19	15
	WB 0001 F 1010R	624840102103	1010x460x142	14	21
	WB 0001 F 1210R	624840122103	1210x460x142	19	15
	WB 0001 F 1210D	624840124203	1210x460x142	19	21
	WB 0001 F 1410D	624840144203	1410x460x142	21	15
	WB 0001 F 1500D	624889154003	1500x460x142	22	10



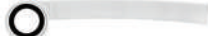
WB Amelia 900C



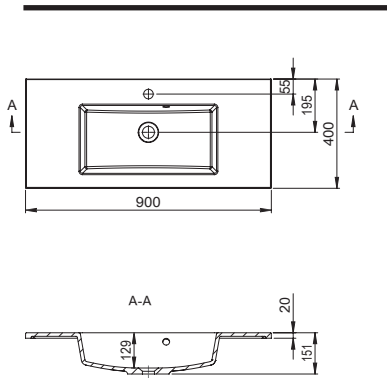
Item no.	612127091103
Size (mm)	900x460x140
Weight (kg)	14
Quantity on pallet	28

Washbasins	Item no.	Size (mm)	Weight (kg)	Quantity on pallet
Amelia 600 C	612127061103	600x460x140	9	28
Amelia 750 C	624835081103	750x460x140	11	28
Amelia 1200 C	612127061103	1200x460x140	18	28
Amelia 1200 D	612127124203	1200x460x140	19	20



General features		
Finish		gloss
Bowl depth (mm)		120
Overflow		external
Included accessories	Standard washbasin overflow	

WB Josefine Slim 900C



Item no.	600100091103
Size (mm)	900x460x150
Weight (kg)	13
Quantity on pallet	35

Washbasins	Item no.	Size (mm)	Weight (kg)	Quantity on pallet
Josefine 600 C	600100061103	600x400x150	9	23
Josefine 700 C	600100071103	700x400x150	11	35
Josefine 800 C	600100081103	800x400x150	12	35
Josefine 1200 C	600100121103	1200x400x150	16	20
Josefine 1200 D	600100124203	1200x400x150	19	20



General features

Finish	gloss
Bowl depth (mm)	129
Overflow	external

Included accessories

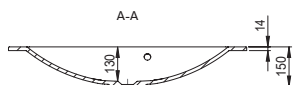
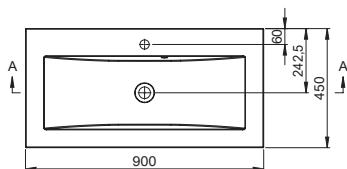
Standard washbasin overflow





—WB Yrsa

WB Yrsa 900C



Item no.	612129091103
Size (mm)	900x450x150
Weight (kg)	14
Quantity on pallet	28

General features

Finish: gloss

Bowl depth (mm): 130

Overflow: external

Included accessories

Standard washbasin overflow



Washbasins	Item no.	Size (mm)	Weight (kg)	Quantity on pallet
------------	----------	-----------	-------------	--------------------



Yrsa 500 C	612129051103	500x450x120	8	52
-------------------	--------------	-------------	---	----

Yrsa 600 C	612129061103	600x450x150	9	28
-------------------	--------------	-------------	---	----

Yrsa 700 C	612129071103	700x450x150	11	28
-------------------	--------------	-------------	----	----

Yrsa 800 C	612129081103	800x400x150	12	28
-------------------	--------------	-------------	----	----

Yrsa 900 C	612129091103	900x450x150	14	28
-------------------	--------------	-------------	----	----

Yrsa 1200 C	612129121103	1200x450x150	19	20
--------------------	--------------	--------------	----	----

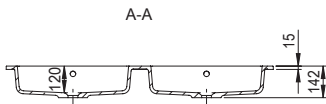
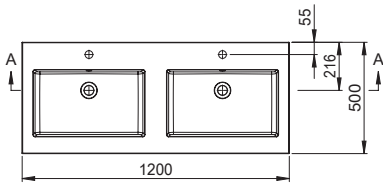


Yrsa 1200 D	612129124203	1200x450x150	21	20
--------------------	--------------	--------------	----	----

Yrsa 1200 C/D	612129121203	1200x450x150	19	20
----------------------	--------------	--------------	----	----



WB Lairetta New 1200D



Item no.	624837124203
Size (mm)	1200x500x142
Weight (kg)	23
Quantity on pallet	20


General features


Finish	gloss
Bowl depth (mm)	120
Overflow	external


Included accessories


Standard washbasin overflow



Washbasins	Item no.	Size (mm)	Weight (kg)	Quantity on pallet
				
WB Laretta NEW 600 C	624837061103	600x500x142	12	28
WB Laretta NEW 700 C	624837071103	700x500x142	12	28
WB Laretta NEW 800 C	624837081103	800x500x142	13	28
WB Laretta NEW 900 C	624837091103	900x500x142	15	28
WB Laretta NEW 1200 C	624837121103	1200x500x142	18	20

				
WB Laretta NEW 900 L	624837093103	900x500x142	15	28
WB Laretta NEW 1200 L	624837123103	1200x500x142	19	20
WB Laretta NEW 1500 L	624837153103	1500x500x142	23	15

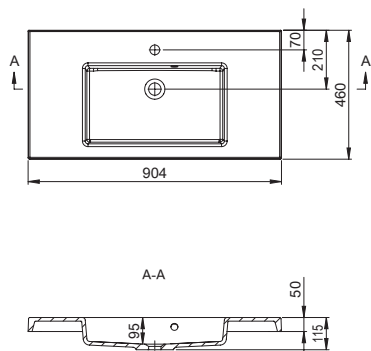
				
WB Laretta NEW 900 R	624837092103	900x500x142	15	28
WB Laretta NEW 1200 R	624837122103	1200x500x142	19	20
WB Laretta NEW 1500 R	624837152103	1500x500x142	23	15

				
WB Laretta NEW 1200 D	624837124203	1200x500x142	23	20
WB Laretta NEW 1400 D	624837144203	1400x500x142	25	15
WB Laretta NEW 1500 D	624837154203	1500x500x142	26	15



—WB Sussy

WB Sussy 904C



Item no.	601066091103
Size (mm)	904x460x115
Weight (kg)	17
Quantity on pallet	27

General features

Finish: gloss


Bowl depth (mm): 95

Overflow: external

Included accessories

Standard washbasin overflow



Washbasins	Item no.	Size (mm)	Weight (kg)	Quantity on pallet
	Sussy 604 C	604x460x115	12	36
	Sussy 704 C	704x460x115	14	27
	Sussy 804 C	804x460x115	15	27
	Sussy 904 C	904x460x115	17	27
	Sussy 1004 C	1004x460x115	18	24
	Sussy 1204 C	1204x460x115	21	18

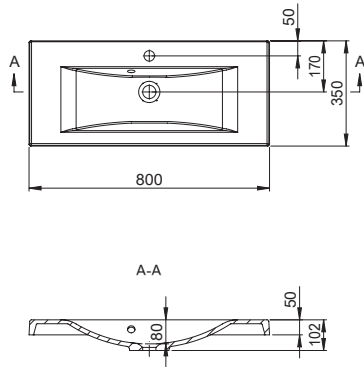


Sussy 1204 D 601066124203 1204x460x115 23 18



WB Selina

WB Selina 800C



Item no.	601055081103
Size (mm)	800x350x102
Weight (kg)	11
Quantity on pallet	40

General features

Finish: gloss






Bowl depth (mm): 80

Overflow: external

Included accessories

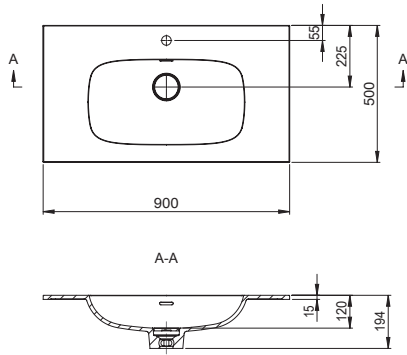
Standard washbasin overflow



Washbasins	Item no.	Size (mm)	Weight (kg)	Quantity on pallet	
	Selina 600 C	601055061103	600x350x102	9	45
	Selina 800 C	601055081103	800x350x102	11	40
	Selina 1200 C	601055121103	1200x350x102	17	21
	Selina 900 L	601055093103	900x350x102	13	36
	Selina 900 R	601055092103	900x350x102	13	36



WB 0510 900C

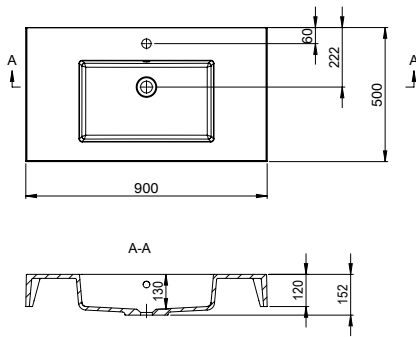


Item no.	631240091133
Finish	matt
Size (mm)	900x500x194
Bowl depth (mm)	120
Weight (kg)	17
Overflow	integrated
Quantity on pallet	18



WB 0072

900



Item no.	631261091133
Size (mm)	900x500x152
Weight (kg)	25
Quantity on pallet	18

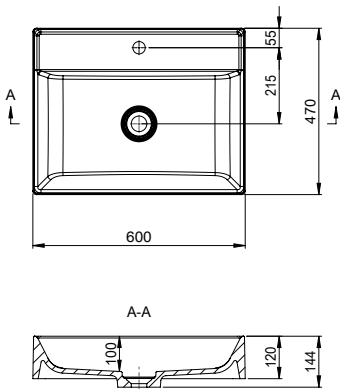
Washbasins	Item no.	Size (mm)	Weight (kg)	Quantity on pallet
WB 0072 800 C	631261081133	800x500x152	23	18
WB 0072 1000 C	631261101133	1000x500x152	28	18
WB 0072 1200 C	631261121133	1200x500x152	34	15
WB 0072 1400 C	631261141133	1400x500x152	36	10
WB 0072 1600 C	631261161133	1600x500x152	42	10

General features		
Finish		matt
Bowl depth (mm)		130
Overflow		no

Wallhung
washbasins



WB 0517
600C



Item no.	625419061103
Finish	gloss
Size (mm)	600x470x144
Bowl depth (mm)	100
Weight (kg)	18
Overflow	external
Quantity on pallet	28

Optional countertop installation



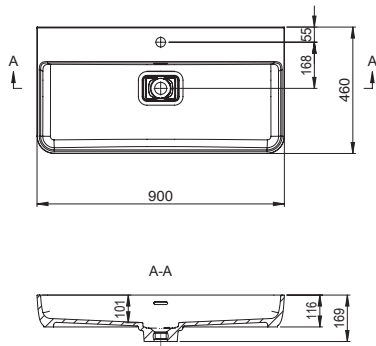
Included accessories

Standard washbasin overflow





WB 0516
900C



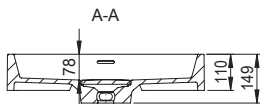
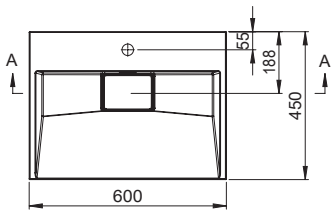
Item no.	625435091103
Finish	gloss
Size (mm)	900x460x169
Bowl depth (mm)	101
Weight (kg)	22
Overflow	integrated
Quantity on pallet	18

Optional countertop
installation





WB 0005
600C



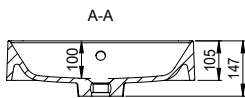
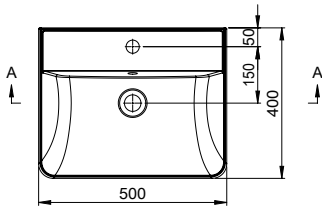
Item no.	612144061103
Finish	gloss
Size (mm)	600x450x149
Bowl depth (mm)	78
Weight (kg)	17
Overflow	integrated
Quantity on pallet	24

Optional countertop
installation





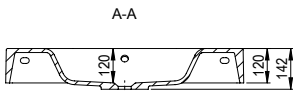
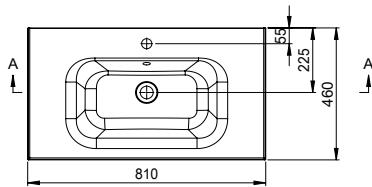
WB 0515 500C



Item no.	625493051103
Finish	gloss
Size (mm)	500x400x147
Bowl depth (mm)	100
Weight (kg)	12
Overflow	integrated
Quantity on pallet	36



WB 0522 810C



Item no.	625439081133
Size (mm)	810x460x142
Weight (kg)	22
Quantity on pallet	21

Washbasins	Item no.	Size (mm)	Weight (kg)	Quantity on pallet
WB 0522 1010C	625439101133	1010x460x142	26	15
WB 0522 1210C	625439121133	1210x460x142	31	15

Optional countertop installation



General features

Finish	matt
Bowl depth (mm)	120
Overflow	external

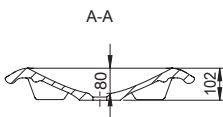
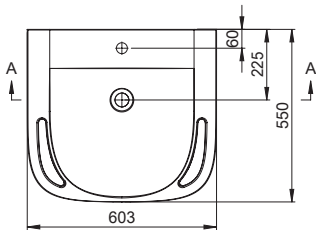
Included accessories

Standard washbasin overflow	
-----------------------------	--

Barrier-free
solution
washbasin



WB 0505
600C

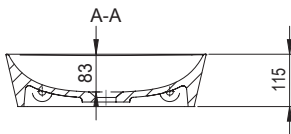
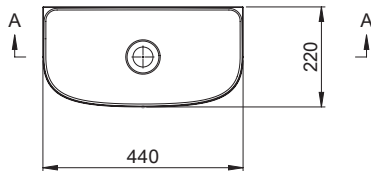


Item no.	624892061103
Finish	gloss/matt
Size (mm)	604x550x102
Bowl depth (mm)	80
Weight (kg)	13
Overflow	no
Quantity on pallet	27

Handwash washbasins



WB 0513 440C



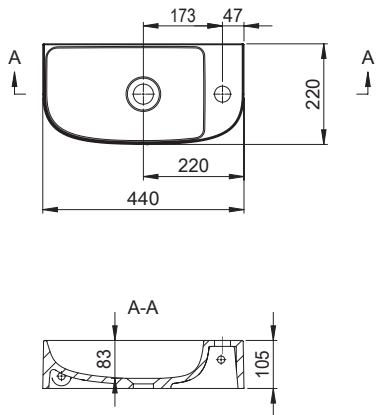
Item no.	625494041003
Finish	gloss
Size (mm)	440x220x115
Bowl depth (mm)	83
Weight (kg)	6
Overflow	no
Quantity on pallet	72

Optional countertop
installation





WB 0514
440L



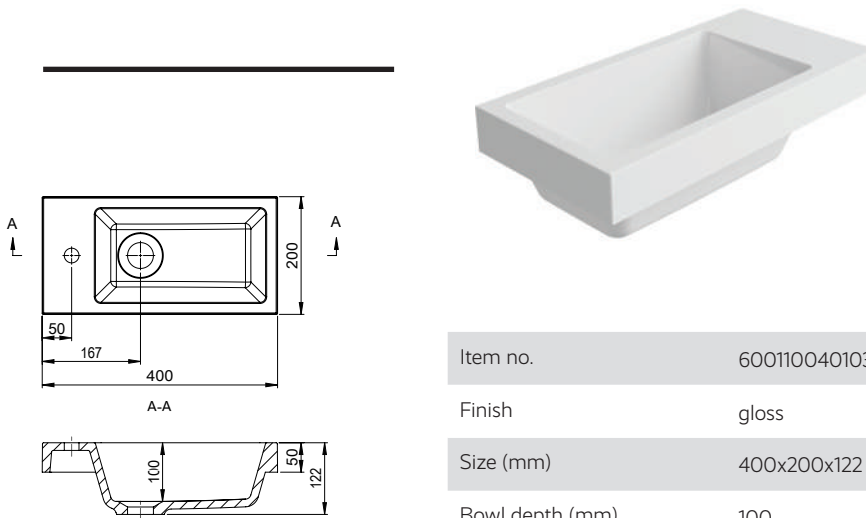
Item no.	625495043103
Finish	gloss
Size (mm)	440x220x105
Bowl depth (mm)	83
Weight (kg)	6
Overflow	no
Quantity on pallet	72

Optional countertop
installation





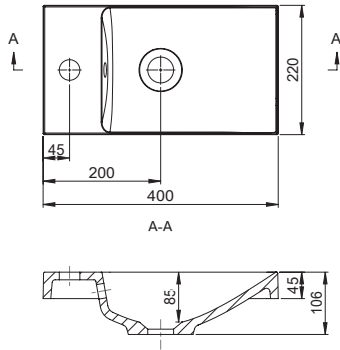
WB Fontino 400



Item no.	600110040103
Finish	gloss
Size (mm)	400x200x122
Bowl depth (mm)	100
Weight (kg)	5
Overflow	no
Quantity on pallet	70



WB Penelope 400



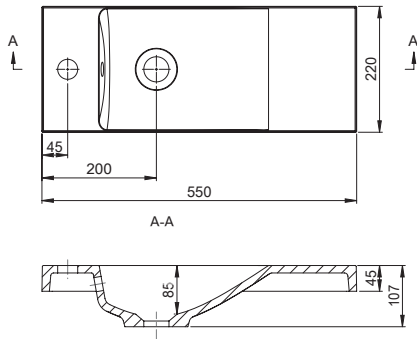
Item no.	612157040103
Finish	gloss
Size (mm)	400x220x106
Bowl depth (mm)	85
Weight (kg)	4
Overflow	external
Quantity on pallet	119

Included accessories

Standard washbasin overflow

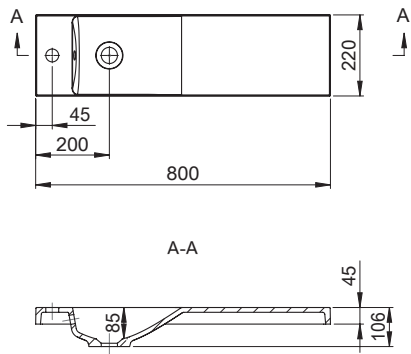


WB Penelope 550



Item no.	612157060103
Finish	gloss
Size (mm)	550x220x107
Bowl depth (mm)	85
Weight (kg)	5
Overflow	external
Quantity on pallet	84

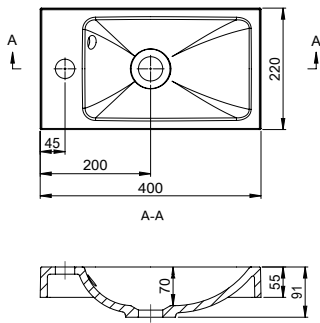
WB Penelope 800



Item no.	612157080103
Finish	gloss
Size (mm)	800x220x106
Bowl depth (mm)	85
Weight (kg)	7
Overflow	external
Quantity on pallet	60



WB Ida 400



Item no.	601007040103
Finish	gloss/matt
Size (mm)	400x220x91
Bowl depth (mm)	70
Weight (kg)	4
Overflow	external
Quantity on pallet	85

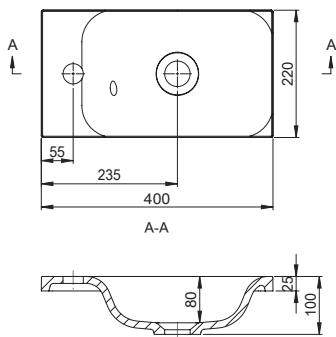
Included accessories

Standard washbasin
overflow





WB Gina 400



Item no.	612125040103
Finish	gloss
Size (mm)	400x220x102
Bowl depth (mm)	80
Weight (kg)	3
Overflow	external
Quantity on pallet	140

Included accessories

Standard washbasin
overflow







Easy to assemble



Durable



Stable



Repairable



Sound insulative



Colour options



Safe anti-slip



Texture options



Possible to clean with natural agents



Different types of install - feet and floor



Easy to clean



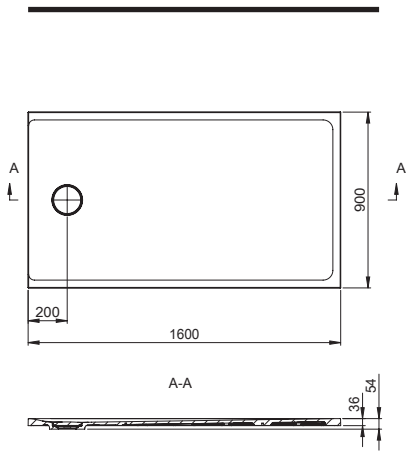
Barrier free access

— Shower trays

Shower trays



— ST 0038
1600x900



Item no.	625431163033
Installation type	floor, feet
Finish	matt
Size (mm)	1600x900x54
Outflow diameter (mm)	90
Weight (kg)	55
Antislip	B
Quantity on pallet	17

Optional accessories

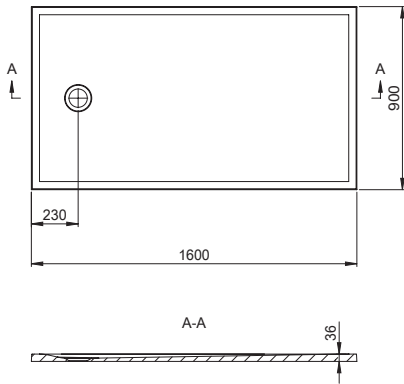




S 057



— ST 0039
1600x900

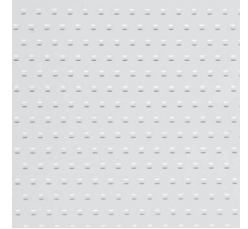


Item no.	625427163033
Installation type	floor, feet
Finish	matt
Size (mm)	1600x900x36
Outflow diameter (mm)	90
Weight (kg)	95
Antislip	C
Quantity on pallet	17

Optional accessories

Feet

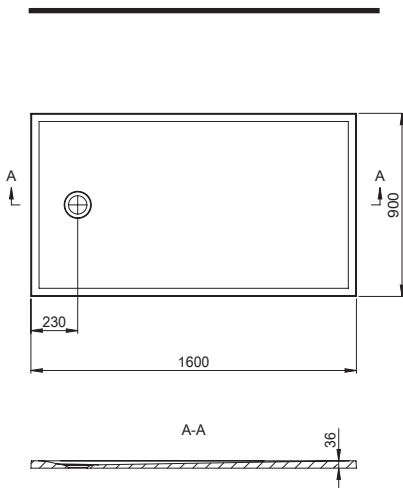




S 058

— ST 0040

1600x900



Item no.	625424163033
Installation type	floor, feet
Finish	matt
Size (mm)	1600x900x36
Outflow diameter (mm)	90
Weight (kg)	53
Antislip	C
Quantity on pallet	17

Optional accessories

Feet

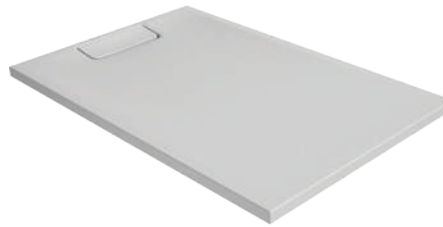
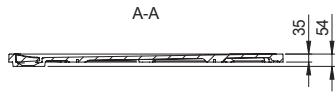
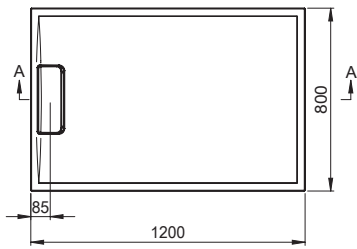




S 035



— ST 0009
1200x800



Item no.	624882123033
Size (mm)	1200x800x54
Weight (kg)	35
Quantity on pallet	17

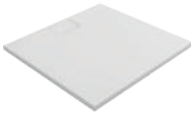
General features

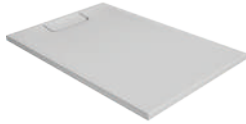
Installation type	floor, feet
Finish	matt
Outflow diameter (mm)	52
Antislip	C

Optional accessories

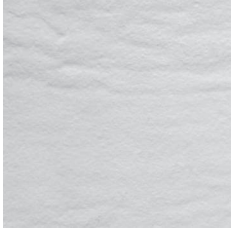
Feet



Shower trays	Item no.	Size (mm)	Weight (kg)	Quantity on pallet
				
ST 0009 800x800	624882082033	800x800x54	25	17
ST 0009 900x900	631226092033	900x900x54	31	17



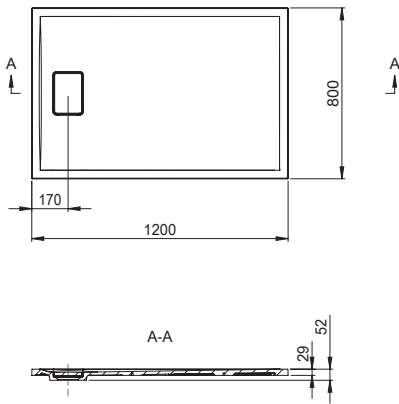
ST 0009 900x700	631225093033	900x700x54	22	17
ST 0009 1000x700	631225103033	1000x700x54	27	17
ST 0009 1200x700	631225123033	1200x700x54	34	17
ST 0009 1400x700	631225143033	1400x700x57	38	17
ST 0009 1600x700	631225163033	1600x700x57	46	17
ST 0009 1000x800	624882103033	1000x800x54	31	17
ST 0009 1200x800	624882123033	1200x800x54	35	17
ST 0009 1400x800	624882143033	1400x800x57	43	17
ST 0009 1600x800	624882163033	1600x800x57	54	17
ST 0009 1200x900	631226123033	1200x900x54	40	17
ST 0009 1400x900	631226143033	1400x900x57	43	17



S 012



— ST 0023 1200x800



Item no.	624809123033
Size (mm)	1200x800x52
Weight (kg)	37
Quantity on pallet	17


General features

Installation type	floor, feet
Finish	matt
Outflow diameter (mm)	90
Antislip	B

Optional accessories

Feet



Shower trays	Item no.	Size (mm)	Weight (kg)	Quantity on pallet
				
ST 0023 800x800	624809083033	800x800x54	25	17
ST 0023 900x900	624810092033	900x900x54	30	17



ST 0023 900x700	631224093033	900x700x52	22	17
ST 0023 1000x700	631224103033	1000x700x52	27	17
ST 0023 1200x700	631224123033	1200x700x52	34	17
ST 0023 1400x700	631224143033	1400x700x58	38	17
ST 0023 1600x700	631224163033	1600x700x58	46	17
ST 0023 1000x800	624809103033	1000x800x52	31	17
ST 0023 1200x800	624809123033	1200x800x52	37	17
ST 0023 1400x800	624809143033	1400x800x58	49	17
ST 0023 1600x800	624809163033	1600x800x58	52	17
ST 0023 1200x900	624810123033	1200x900x52	41	17
ST 0023 1400x900	624810143033	1400x900x58	51	17

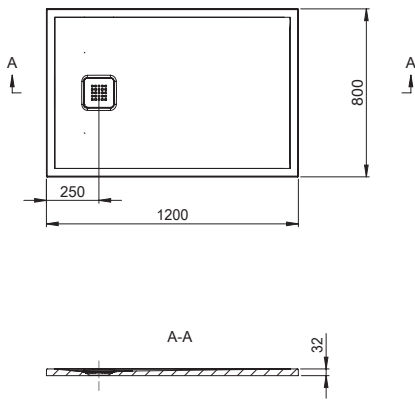


S 037



— ST 0024

1200x800



Item no.	624811123033
Size (mm)	1200x800x32
Weight (kg)	51
Quantity on pallet	17

General features


Installation type	floor, feet
Finish	matt
Outflow diameter (mm)	90
Antislip	B


Accessories

Metal cover	 Other colours available on special request
-------------	--

Optional accessories

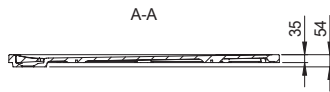
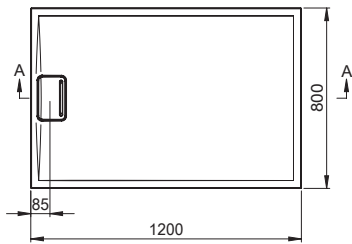
Feet	
------	--

Shower trays	Item no.	Size (mm)	Weight (kg)	Quantity on pallet
				
ST 0024 800x800	624811082033	800x800x28	30	17
ST 0024 900x900	624813092033	900x900x28	40	17

				
ST 0024 900x700	624812093033	900x700x28	24	17
ST 0024 1000x700	624812103033	1000x700x29	35	17
ST 0024 1200x700	624812123033	1200x700x32	45	17
ST 0024 1400x700	624812143033	1400x700x36	57	17
ST 0024 1600x700	624812163033	1600x700x39	70	17
ST 0024 1000x800	624811103033	1000x800x29	40	17
ST 0024 1200x800	624811123033	1200x800x32	51	17
ST 0024 1400x800	624811143033	1400x800x36	60	17
ST 0024 1600x800	624811163033	1600x800x39	65	17
ST 0024 1200x900	624813123033	1200x900x32	55	17
ST 0024 1400x900	624813143033	1400x900x36	58	17



— ST 0008
1200x800



Item no.	624881123033
Size (mm)	1200x800x54
Weight (kg)	35
Quantity on pallet	17


General features


Installation type	floor, feet
Finish	matt
Outflow diameter (mm)	52
Antislip	B

Optional accessories

Feet

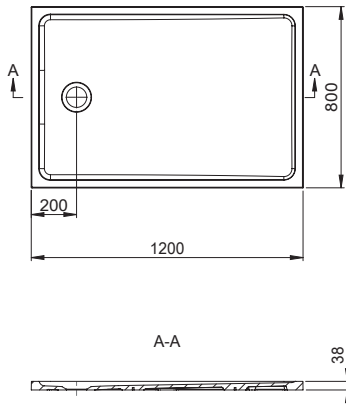


Shower trays	Item no.	Size (mm)	Weight (kg)	Quantity on pallet
				
ST 0008 800x800	624881082033	800x800x54	25	17
ST 0008 900x900	631222092033	900x900x54	31	17

				
ST 0008 900x700	631223093033	900x700x54	22	17
ST 0008 1000x700	631223103033	1000x700x54	27	17
ST 0008 1200x700	631223123033	1200x700x54	34	17
ST 0008 1400x700	631223143033	1400x700x57	38	17
ST 0008 1600x700	631223163033	1600x700x57	46	17
ST 0008 1000x800	624881103033	1000x800x54	31	17
ST 0008 1200x800	624881123033	1200x800x54	35	17
ST 0008 1400x800	624881143033	1400x800x57	43	17
ST 0008 1600x800	624881163033	1600x800x57	54	17
ST 0008 1200x900	631222123033	1200x900x54	40	17
ST 0008 1400x900	631222143033	1400x900x57	43	17



— ST 0035 1200x800



Item no.	631231123003
Size (mm)	1200x800x38
Weight (kg)	35
Quantity on pallet	17




General features

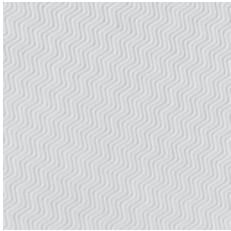
Installation type	floor, feet
Finish	gloss
Outflow diameter (mm)	90
Antislip	A

Optional accessories

Feet

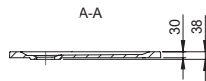
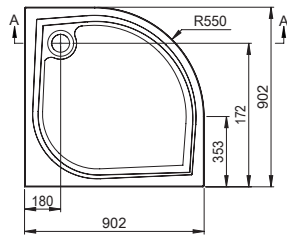


Shower trays	Item no.	Size (mm)	Weight (kg)	Quantity on pallet
				
ST 0035 800x800	631231081003	800x800x35	21	17
ST 0035 900x900	631232091003	900x900x35	26	17
				
ST 0035 800x800	631231082003	800x800x35	23	17
ST 0035 900x900	631232092003	900x900x35	29	17
ST 0035 1000x1000	631251102003	1000x1000x38	37	17
				
ST 0035 900x700	631230093003	900x700x35	23	17
ST 0035 1000x700	631230103003	1000x700x38	26	17
ST 0035 1200x700	631230123003	1200x700x38	31	17
ST 0035 1400x700	631230143003	1400x700x44	38	17
ST 0035 1600x700	631230163003	1600x700x44	43	17
ST 0035 900x750	631250083003	900x750x35	25	17
ST 0035 900x800	631231093003	900x800x35	36	17
ST 0035 1000x800	631231103003	1000x800x38	29	17
ST 0035 1100x800	631231113003	1100x800x38	32	17
ST 0035 1200x800	631231123003	1200x800x38	35	17
ST 0035 1400x800	631231143003	1400x800x44	42	17
ST 0035 1600x800	631231163003	1600x800x44	48	17
ST 0035 1000x900	631232103003	1000x900x38	33	17
ST 0035 1100x900	631232113003	1100x900x38	36	17
ST 0035 1200x900	631232123003	1200x900x38	39	17
ST 0035 1400x900	631232143003	1400x900x44	47	17
ST 0035 1600x900	631232163003	1600x900x44	56	17



S 050

ST Klara 900



Item no.	601161091003
Size (mm)	900x900x38
Weight (kg)	29
Quantity on pallet	17

General features

Installation type	floor, feet
Finish	gloss
Outflow diameter (mm)	90
Antislip	A

Optional accessories

Feet	
------	---



Shower trays	Item no.	Size (mm)	Weight (kg)	Quantity on pallet
ST Klara 800x800	601161081003	800x800x38	22	17
ST Klara 1000x1000	601161101003	1000x1000x38	36	17
ST Klara 700x700	601161072003	700x700x38	18	17
ST Klara 800x800	601161082003	800x800x38	24	17
ST Klara 900x900	601161092003	900x900x38	32	17
ST Klara 1000x1000	601161102003	1000x1000x38	38	17



Shower trays	Item no.	Size (mm)	Weight (kg)	Quantity on pallet
ST Klara 800x760	631230123003	800x760x38	25	17
ST Klara 900x800	631230143003	900x800x38	30	17
ST Klara 1000x700	631230163003	1000x700x38	27	17
ST Klara 1000x800	631231103003	1000x800x38	31	17
ST Klara 1000x900	631231123003	1000x900x38	38	17
ST Klara 1100x800	631231143003	1100x800x38	38	17
ST Klara 1200x700	631231163003	1200x700x38	32	17
ST Klara 1200x760	631232123003	1200x760x38	39	17
ST Klara 1200x800	631232143003	1200x800x38	37	17
ST Klara 1200x900	631232123003	1200x900x38	39	17
ST Klara 900x700	631230103003	900x700x38	24	17
ST Klara 1300x800	631232143003	1300x800x38	41	17
ST Klara 1300x900	631232123003	1300x900x38	46	17
ST Klara 1400x700	631232143003	1400x700x38	39	17
ST Klara 1400x800	631232123003	1400x800x38	42	17
ST Klara 1400x900	631232143003	1400x900x38	48	17
ST Klara 1500x800	631232123003	1500x800x38	48	17
ST Klara 1500x900	631232143003	1500x900x38	54	17
ST Klara 1600x700	631232123003	1600x700x38	45	17
ST Klara 1600x800	631232143003	1600x800x38	50	17
ST Klara 1600x900	631232123003	1600x900x38	56	17
ST Klara 1700x700	631232143003	1700x700x38	49	17
ST Klara 1700x800	631232123003	1700x800x38	52	17
ST Klara 1700x900	631232143003	1700x900x38	50	17
ST Klara 1800x800	631232123003	1800x800x38	62	17
ST Klara 1800x900	631232143003	1800x900x38	59	17





Ergonomic shape ensures pleasant bath



Durable



Warmth keeping



Precise in diameters and radiuses



Sound insulative



Repairable



Resistant to loss of gloss



Smooth



Possible to clean with natural agents



Easy to clean



Easy to install



Pleasure and relaxation while bathing



Different overflow options



Freestanding bathtub makes every interior exceptional



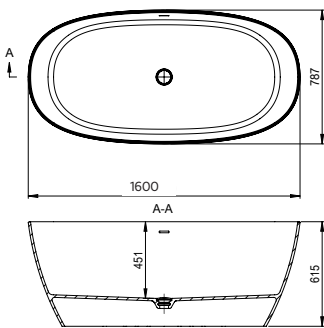


— Bathtubs

Bathtubs



BT 0049 1600



Item no.	625404161103
Finish	gloss/matt
Size (mm)	1600x787x615
Weight (kg)	119
Volume	335
Overflow	integrated
Quantity on pallet	1

Included accessories

Siphon for bathtub with integrated overflow

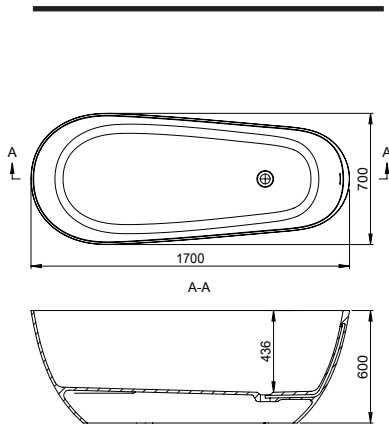




reddot award 2016
winner



BT Silvia 1700



Item no.	612169171103
Finish	gloss/matt
Size (mm)	1700x700x600
Weight (kg)	110
Volume	280
Overflow	integrated
Quantity on pallet	1

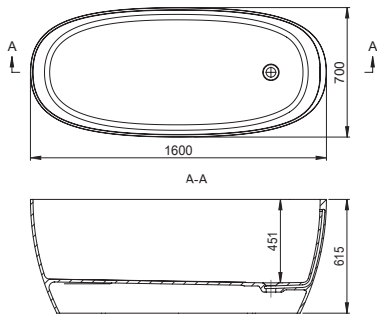
Included accessories

Siphon for bathtub with integrated overflow





BT Cecilia 1600



Item no.	600181161103
Finish	gloss/matt
Size (mm)	1600x700x615
Weight (kg)	105
Volume	310
Overflow	integrated
Quantity on pallet	1

Included accessories

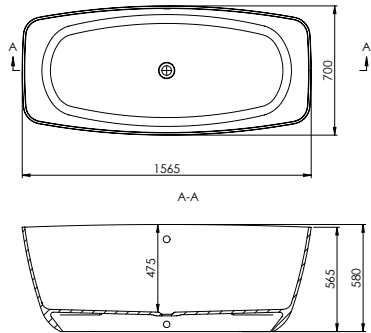
Siphon for bathtub with integrated overflow





BT 0010
1600

BT 0010
1600 without
overflow



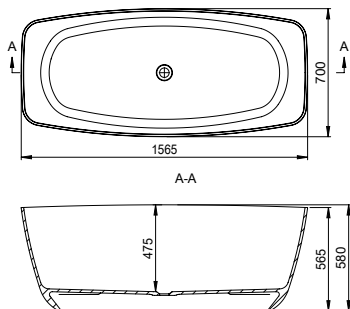
Item no.	600083161103
Finish	gloss/matt
Size (mm)	1565x700x580
Weight (kg)	90
Volume	290
Overflow	no
Quantity on pallet	1

Included accessories

Siphon for bathtub without overflow



BT 0010
1600 with overflow



Item no.	631214161103
Finish	gloss/matt
Size (mm)	1565x700x580
Weight (kg)	90
Volume	290
Overflow	external
Quantity on pallet	1

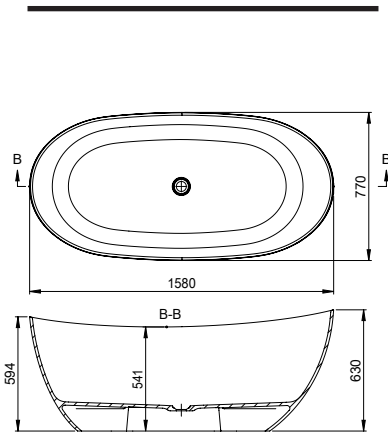
Included accessories

Siphon for bathtub with overflow





BT 0071
1580



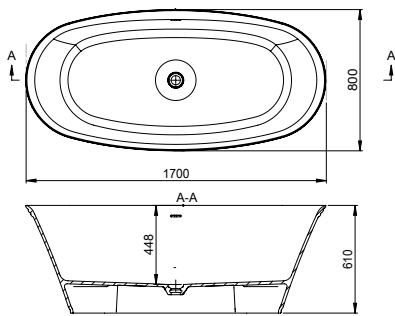
Item no.	631259160003
Finish	gloss/matt
Size (mm)	1580x770x630
Weight (kg)	92
Volume	330
Overflow	no
Quantity on pallet	1

Included accessories

Siphon for bathtub without overflow



BT 0065 1700



Item no.	631258170103
Finish	gloss/matt
Size (mm)	1700x800x610
Weight (kg)	107
Volume	290
Overflow	integrated
Quantity on pallet	1

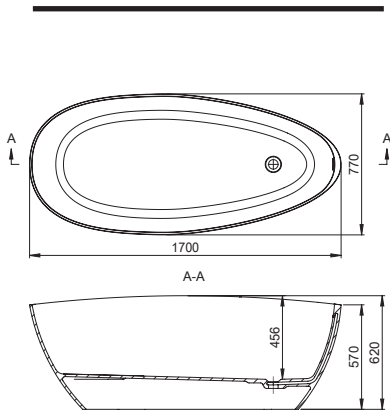
Included accessories

Siphon for bathtub with integrated overflow





Rita XL 1700



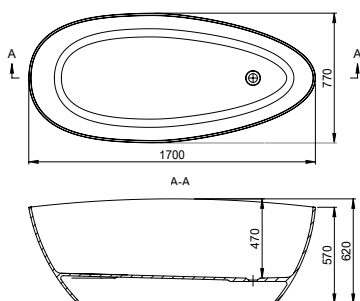
Item no.	601189171103
Finish	gloss/matt
Size (mm)	1700x770x620
Weight (kg)	92
Volume	250
Overflow	integrated
Quantity on pallet	1

Included accessories

Siphon for bathtub with integrated overflow



BT Rita XL
1700 without
overflow



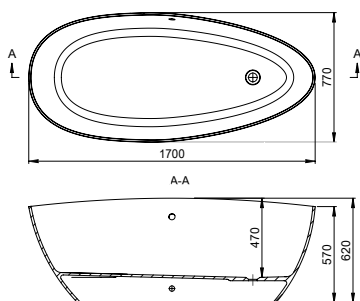
Item no.	601180171003
Finish	gloss/matt
Size (mm)	1700x770x620
Weight (kg)	92
Volume	250
Overflow	no
Quantity on pallet	1

Included accessories

Siphon for bathtub without overflow



BT Rita XL
1700 with overflow



Item no.	601180172103
Finish	gloss/matt
Size (mm)	1700x770x620
Weight (kg)	92
Volume	250
Overflow	external
Quantity on pallet	1

Included accessories

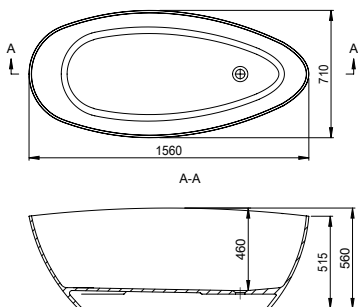
Siphon for bathtub with overflow





BT Rita
1560

BT Rita 1560 without overflow



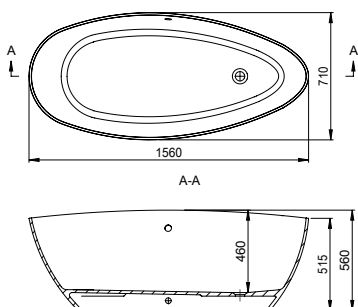
Item no.	601180061003
Finish	gloss/matt
Size (mm)	1560x700x560
Weight (kg)	70
Volume	210
Overflow	no
Quantity on pallet	1

Included accessories

Siphon for bathtub without overflow



BT Rita 1560 with overflow



Item no.	601180062103
Finish	gloss/matt
Size (mm)	1560x700x560
Weight (kg)	70
Volume	210
Overflow	external
Quantity on pallet	1

Included accessories

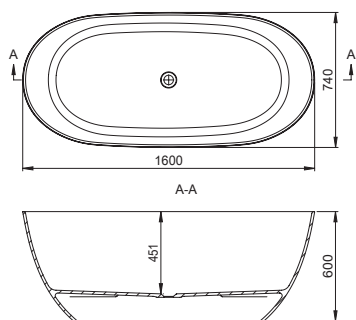
Siphon for bathtub with overflow





BT 0016
1600

BT 0016
1600 without
overflow



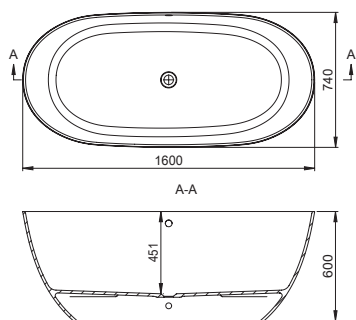
Item no.	631200161003
Finish	gloss/matt
Size (mm)	1600x740x600
Weight (kg)	93
Volume	293
Overflow	external
Quantity on pallet	1

Included accessories

Siphon for bathtub without overflow



BT 0016
1600 with overflow



Item no.	631200160103
Finish	gloss/matt
Size (mm)	1600x740x600
Weight (kg)	93
Volume	293
Overflow	external
Quantity on pallet	1

Included accessories

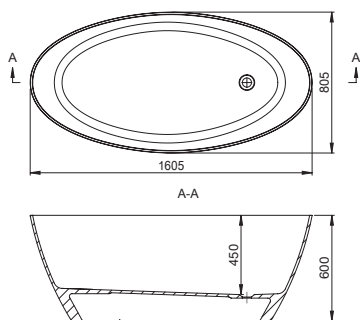
Siphon for bathtub with overflow





BT 0011
1600

BT 0011
1600 without
overflow



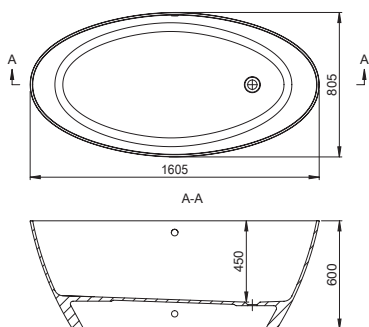
Item no.	624875161003
Finish	gloss/matt
Size (mm)	1605x805x600
Weight (kg)	91
Volume	275
Overflow	no
Quantity on pallet	1

Included accessories

Siphon for bathtub without overflow



BT 0011
1600 with overflow



Item no.	626953161103
Finish	gloss/matt
Size (mm)	1605x805x600
Weight (kg)	91
Volume	275
Overflow	external
Quantity on pallet	1

Included accessories

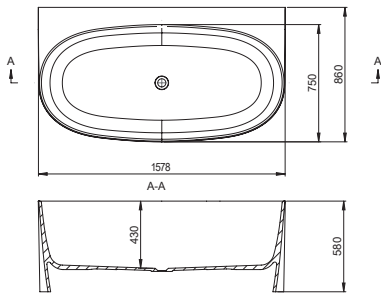
Siphon for bathtub with overflow





BT 0052
1580

BT 0052
1580 without
overflow



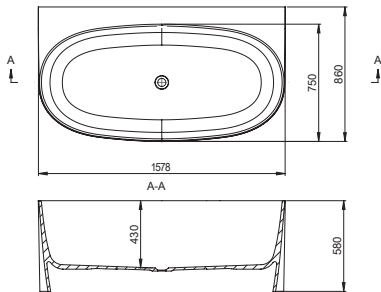
Item no.	624875161003
Finish	gloss/matt
Size (mm)	1578x860x580
Weight (kg)	91
Volume	275
Overflow	no
Quantity on pallet	1

Included accessories

Siphon for bathtub without overflow



BT 0052
1580 with overflow



Item no.	626953161103
Finish	gloss/matt
Size (mm)	1578x860x580
Weight (kg)	91
Volume	275
Overflow	external
Quantity on pallet	1

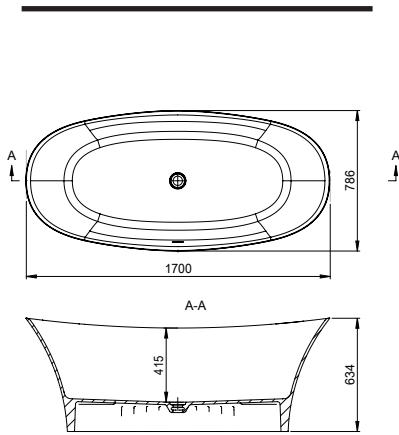
Included accessories

Siphon with overflow system





BT 0054
1700



Item no.	625467171103
Finish	gloss/matt
Size (mm)	1700x786x634
Weight (kg)	107
Volume	239
Overflow	integrated
Quantity on pallet	1

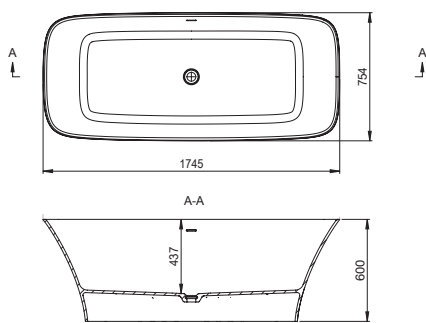
Included accessories

Siphon for bathtub with integrated overflow



BT 0045

1745



Item no.	631239171103
Finish	gloss/matt
Size (mm)	1745x754x600
Weight (kg)	113
Volume	290
Overflow	integrated
Quantity on pallet	1

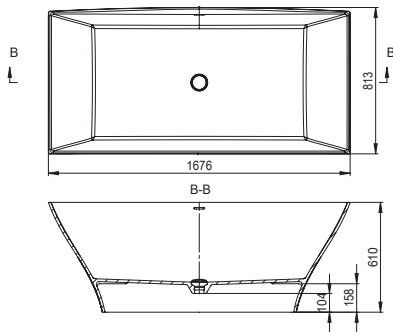
Included accessories

Siphon for bathtub with integrated overflow





BT 0055
1680



Item no.	631247170103
Finish	gloss/matt
Size (mm)	1676x813x610
Weight (kg)	125
Volume	380
Overflow	integrated
Quantity on pallet	1

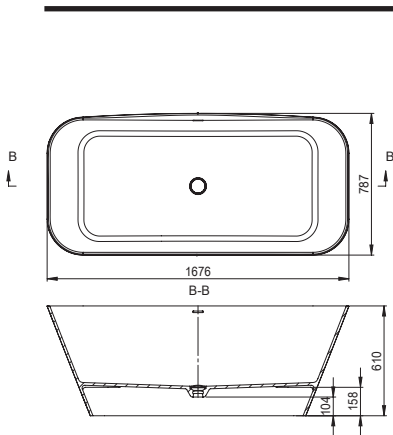
Included accessories

Siphon for bathtub with integrated overflow





BT 0056
1680



Item no.	631246170103
Finish	gloss/matt
Size (mm)	1676x787x610
Weight (kg)	121
Volume	385
Overflow	integrated
Quantity on pallet	1

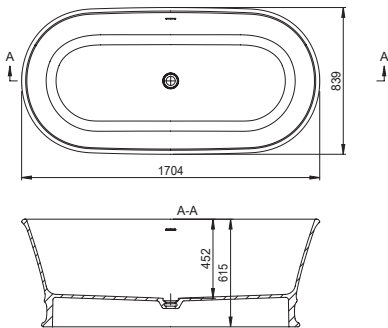
Included accessories

Siphon for bathtub with integrated overflow





BT 0057
1700



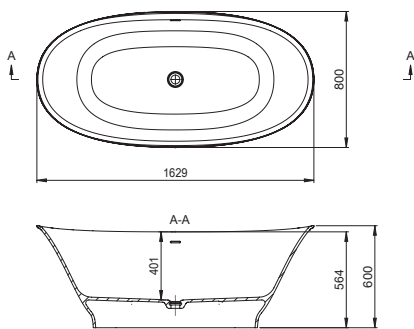
Item no.	625428171103
Finish	gloss/matt
Size (mm)	1704x839x615
Weight (kg)	142
Volume	309
Overflow	integrated
Quantity on pallet	1

Included accessories

Siphon for bathtub with integrated overflow



BT 0050 1630



Item no.	625415161103
Finish	gloss/matt
Size (mm)	1630x800x600
Weight (kg)	85
Volume	220
Overflow	integrated
Quantity on pallet	1

Included accessories

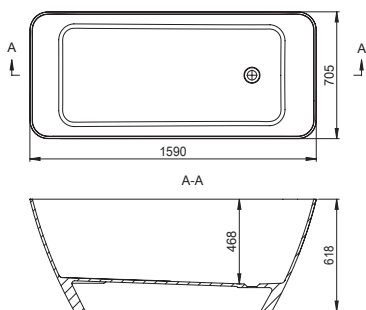
Siphon for bathtub with integrated overflow





BT 0012
1590

BT 0012
1590 without
overflow



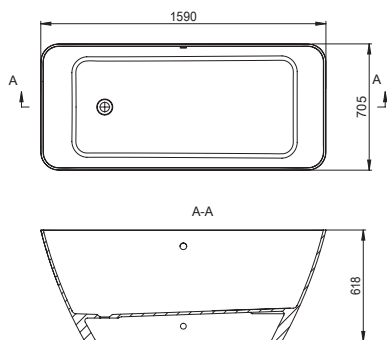
Item no.	624874161003
Finish	gloss/matt
Size (mm)	1590x705x618
Weight (kg)	102
Volume	310
Overflow	no
Quantity on pallet	1

Included accessories

Siphon for bathtub without overflow



BT 0012
1590 with overflow



Item no.	626954161103
Finish	gloss/matt
Size (mm)	1590x705x618
Weight (kg)	102
Volume	310
Overflow	external
Quantity on pallet	1

Included accessories

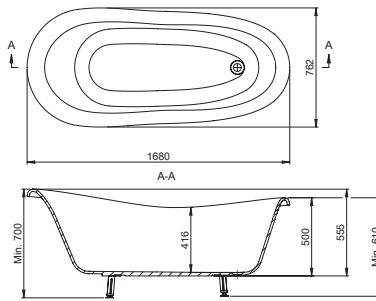
Siphon for bathtub with overflow





BT Romance 1680

BT Romance 1680 without overflow



Item no.	618601181103
Finish	gloss
Size (mm)	1680x762x665
Weight (kg)	72
Volume	240
Overflow	no
Quantity on pallet	1

Optional accesories

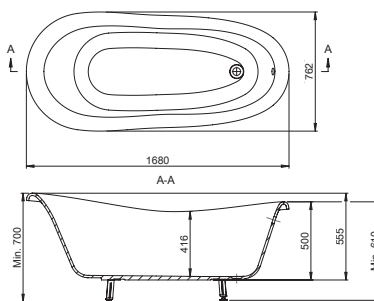
Feet



Siphon for bathtub
without overflow



BT Romance 1680 with overflow



Item no.	601180023103
Finish	gloss
Size (mm)	1680x762x665
Weight (kg)	72
Volume	240
Overflow	external
Quantity on pallet	1

Optional accesories

Feet



Siphon for bathtub with overflow

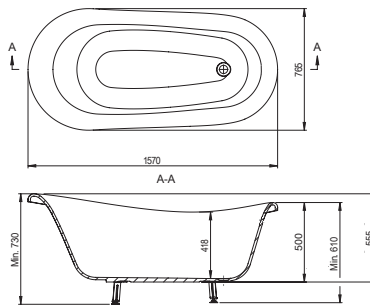




BT Romance

1570

BT Romance 1570 without overflow



Item no.	601180021003
Finish	gloss
Size (mm)	1570x765x665
Weight (kg)	68
Volume	220
Overflow	no
Quantity on pallet	1

Optional accesories

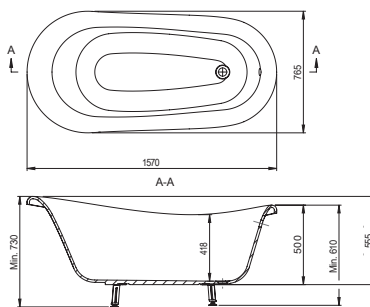
Feet



Siphon for bathtub
without overflow



BT Romance 1570 with overflow



Item no.	601180121103
Finish	gloss
Size (mm)	1570x765x665
Weight (kg)	68
Volume	220
Overflow	external
Quantity on pallet	1

Optional accesories

Feet



Siphon for bathtub with
overflow

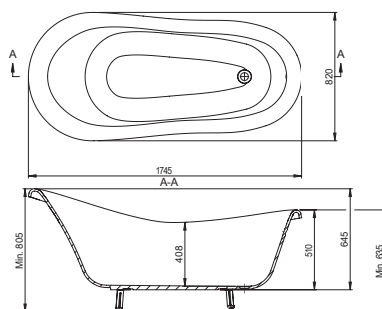




BT Romance

1745

BT Romance 1745 without overflow



Item no.	618601181103
Finish	gloss
Size (mm)	1745x820x665
Weight (kg)	78
Volume	240
Overflow	no
Quantity on pallet	1

Optional accesories

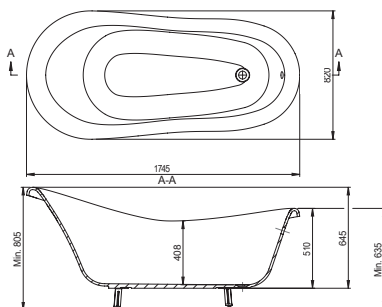
Feet



Siphon for bathtub
without overflow



BT Romance 1745 with overflow



Item no.	618281171103
Finish	gloss
Size (mm)	1745x820x665
Weight (kg)	78
Volume	240
Overflow	external
Quantity on pallet	1

Optional accesories

Feet



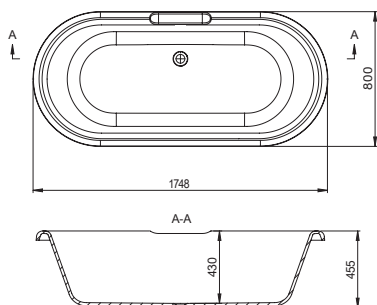
Siphon for bathtub with
overflow





BT Romance
1750

BT Romance 1750 without overflow



Item no.	618602181103
Finish	gloss
Size (mm)	1750x800x455
Weight (kg)	86
Volume	320
Overflow	no
Quantity on pallet	1

Optional accesories

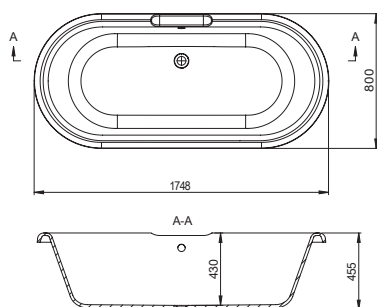
Feet



Siphon for bathtub
without overflow



BT Romance 1750 with overflow



Item no.	625488024103
Finish	gloss
Size (mm)	1750x800x455
Weight (kg)	86
Volume	320
Overflow	external
Quantity on pallet	1

Optional accesories

Feet




Siphon for bathtub with
overflow

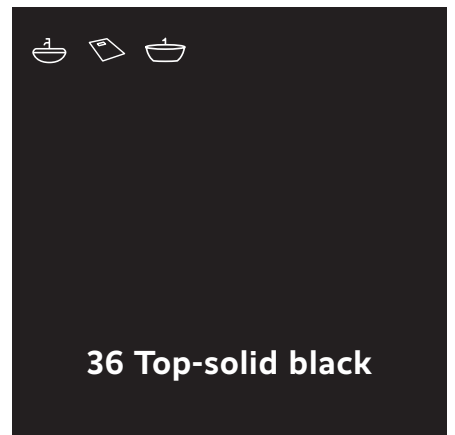
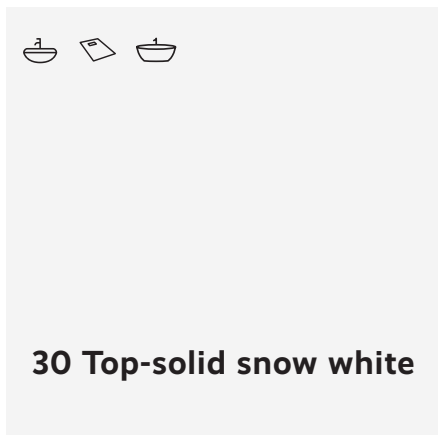
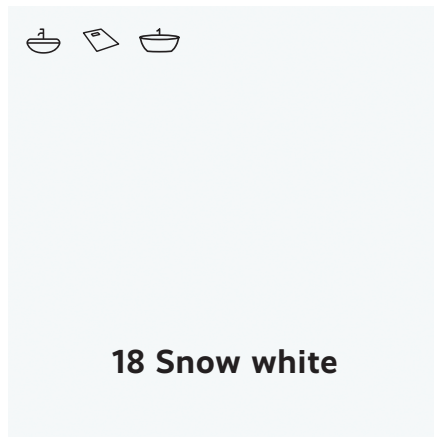


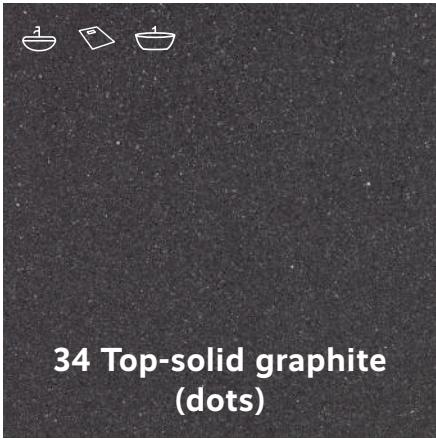
Colours

Thanks to the unlimited design possibilities, Mineral Composite allows us to create products of any shape, color and finish. Our colours and structures have been inspired by natural materials, thanks to which the products gain a unique character and perfectly match the decor of a modern bathroom.

This selection is our standard offer. On request, we prepare colours tailored to customer expectations.

 Washbasins  Shower trays  Bathtubs

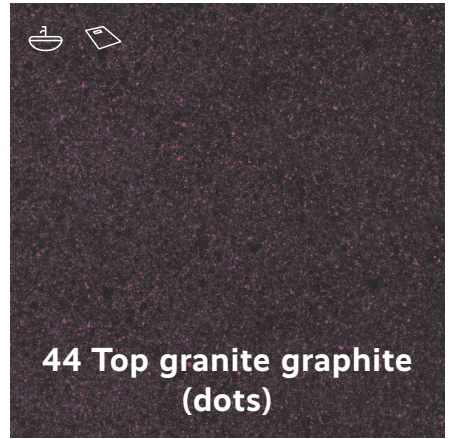




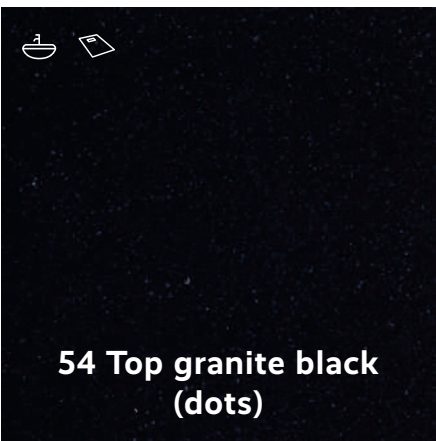
34 Top-solid graphite (dots)



37 Top-solid grey



44 Top granite graphite (dots)



54 Top granite black (dots)



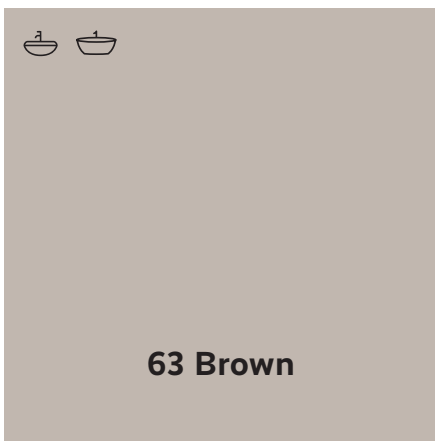
57 Top-solid stone grey



61 Light grey



62 Dark grey



63 Brown



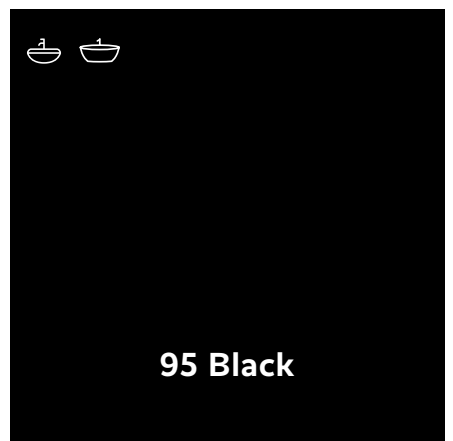
71 Top-solid light grey



72 Top-solid dark grey



73 Top-solid brown



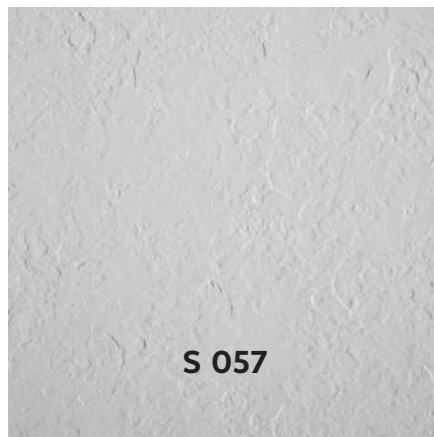
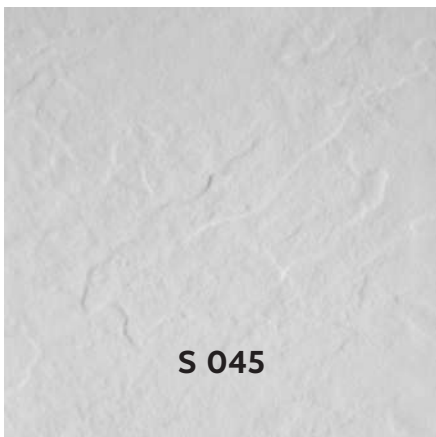
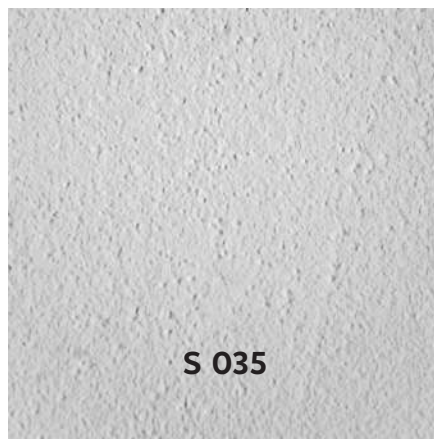
95 Black

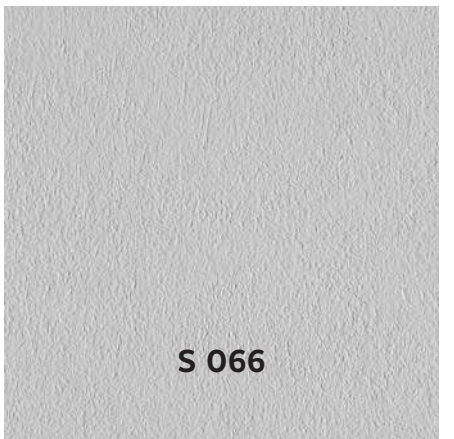
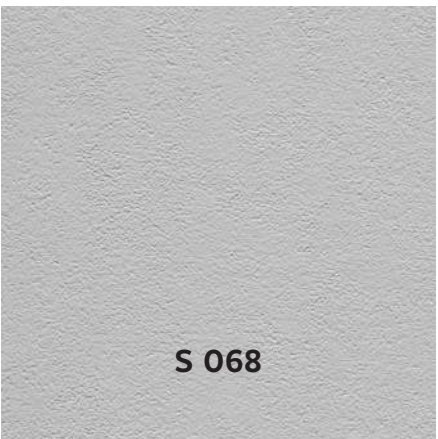
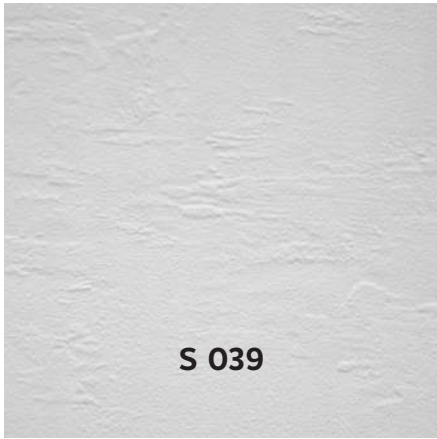
Textures



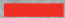
Our designs are driven by constant attention to the textures that we select.

Creating products, we are inspired by the beauty and richness of nature.





Cleaning and Care

 Mineral Composite is easy to clean!

For standard cleaning, gloss and matt finishes, we recommend using widely available non-abrasive cleaning products.

Thanks to its natural origin, the material is suitable for cleaning with natural, inexpensive agents such as vinegar, or water with lemon. Matt finishes may occasionally require a mildly abrasive product.

Our material is resistant to:



Cosmetics

e.g. hair dye, lipstick, nail polish



Detergent ingredients

e.g. acids, alkalis, bleaching agents, methylene blue



Everyday use stains

e.g. juices, cigarette stains, crayons



Watch our movie

The material has the added value of being easily repairable.

Minor defects like chips or scratches can be removed by individual users, who can use one of the repair kits recommended by Marmite.



Repair Kit

For professional repair of damage or scratches.

Key benefits:

- All colours available
- 3 months of suitability for use
- All necessary components are included

Touch-up Stick

New means of quick and easy repair of minor damage or scratches in the domestic environment.

Key benefits:

- Safe to use and environmentally friendly
- 5 year shelf life
- Easy to use by inexperienced users



Polishing Compound

A water polish emulsion recommended for Mineral Composite products.

Key benefits:

- Removes scratches
- Refreshes glossy
- Free of silicone, wax and aggressive thinners



General Sales Conditions

§1 Dictionary

The following terms included in these General Sales Conditions applied by Marmite Spółka z ograniczoną odpowiedzialnością with its registered office in Zakrzewo within a professional trade shall have the following meaning:

Confidential Information
has the meaning given in § 8 Item 2 of GSC

Civil Code
the act of April 23, 1964 The Civil Code (Journal of Law of 2017, Item 459), as amended)

Buyer
an entrepreneur who enters into the Contract with Seller

GSC
the General Sales Conditions applied by Marmite Spółka z ograniczoną odpowiedzialnością with its registered office in Zakrzewo within a professional trade

Order Confirmation
acceptance of the Order addressed to the Buyer by the Seller

Framework Cooperation Agreement
framework agreement regulating terms and conditions of cooperation between the Buyer and the Seller within the sales of Products

Seller
the Company – Marmite Spółka z ograniczoną odpowiedzialnością with its registered office in Zakrzewo at Przemysłowa 4, 62-070 Dopiewo, Poland, entered into the register of entrepreneurs of the National Court Register kept by the District Court Poznań – Nowe Miasto i Wilda in Poznań, VIII Commercial Division of the National Court Register, under KRS number: 0000581685, NIP [Tax Identification Number]: 783-173-21-17

Party
the Seller or the Buyer

Parties
jointly the Seller and the Buyer

Products
any products on sale at the Seller, in particular washbasins, shower trays and bathtubs

Contract
each contract for the sale of Products concluded by the Seller and the Buyer on the basis of the Order placed with the Seller and the Order Confirmation on terms stipulated in GSC

Order
an offer placed to the Seller by the Buyer to conclude the Contract as provided for in the Civil Code

Business days
days from Monday to Friday excluding days which are public holidays in Poland

§2 General provisions

- GSC regulate rights and obligations of the Parties to the Contract. GSC shall not apply to the Buyers being natural persons, acquiring Products for the purpose not related with the professional or business activity. GSC constitute an integral part of the Contract and the Order, as well as the Framework Cooperation Agreement, unless the Parties decide otherwise.
- In case of any discrepancies between the provisions of GSC and the Contract concluded between the Parties or the Framework Cooperation Agreement, the following provisions within this scope shall prevail: (a) first of all – the Contract, (b) second of all – the Framework Cooperation Agreement, (c) third of all – GSC.

- The Seller is not bound by any conditions of purchase (including contract templates) applied by the Buyer. The conditions described in the previous sentence shall not apply to the Contract or to the Framework Cooperation Agreement.
- GSC become binding for the Buyer at the moment of placing the Order or at the moment of the conclusion of the Framework Cooperation Agreement, or other contract regarding the sales of Products, depending on the day which occurs first. GSC shall apply to all Contracts concluded between the Parties. Information presented by the Seller in any form and of any character, in particular as the announcement, advertisement, price lists and the so-called commercial conditions shall not have the character of an offer as provided for in the Civil Code and shall not be binding for the Seller, however they constitute at least an invitation to conclude the Contract under conditions indicated in this information.
- Any illustrations, drawings, descriptions, data regarding the weight and measurements of the Products provided by the Seller are of visual and supportive character for the appropriate fitting of Products. The Seller hereby reserves any and all rights to the illustrations, drawings, descriptions presented to the Buyer. The Buyer is not entitled to use them within scope other than the fitting of Products, and moreover, he is not entitled to disclose them to third parties.
- In case when the Seller manufactures the Products on the basis of designs provided by the Buyer, the Buyer states that he is entitled to the copyrights, in particular to proprietary copyrights, to the designs of Products within the scope essential for the Contract execution. The Buyer authorizes the Seller to use the designs of Products within the scope necessary for the Contract execution. The Buyer shall bear liability towards the Seller for lack of the authorization to the abovementioned rights, in particular he shall release the Seller from any obligations towards third parties related to the manufacture of Products pursuant to the Contract and to redress the damage incurred by the Seller.
- If the Seller accepts the Order, then within 3 (three) Business days from the date of receiving the Order, the Seller shall send the Order Confirmation to the Buyer by fax or e-mail. The Contract for the ordered Products is concluded at the moment of sending the Order Confirmation by the Seller.
- The time period indicated in § 3 Item 4 of GSC shall not apply to the implementation (realization) of new designs of Products; in these situations the time period for the order confirmation shall be each time agreed by the Parties. The sales Contract for the ordered Products is concluded at the moment of order confirmation by the Seller.
- The Seller may modify the Order in the Order Confirmation within the quantity of Products and delivery date, or other conditions of the Contract, excluding the kind of Products covered by the Order. Within 3 (three) Business days from receiving of the modified Order Confirmation the Buyer may reject the execution of the Order under conditions indicated in the Order Confirmation by providing the Seller in writing or by e-mail with the appropriate statement. Failure to provide the Seller by the Buyer with the refusal of Order execution under the conditions of the modified Order Confirmation, the Contract shall be deemed concluded under conditions of the modified Order Confirmation at the moment of the expiry of 3 (three) Business days from sending by the Seller to the Buyer the modified Order Confirmation or earlier – if the Buyer provides the Seller with the statement on the acceptance of the modified Order Confirmation.
- The Seller may make the Order acceptance conditional in particular on the payment of the outstanding financial liabilities together with their interest, ceasing other breaches and removing their effects or providing a security by the Buyer in a form agreed on between the Parties.
- The Seller may not accept the Order in particular when the sum of unpaid receivables of the Buyer due to the delivery of Products (including overdue receivables) exceeds the value established between the Parties or this value would be exceeded if the next Order was accepted.
- Withdrawal (cancellation) of the Order by the Buyer always requires a written consent of the Seller.
- The Buyer states that any and all Orders placed by him or his employees with the use of fax or e-mail are binding for the Buyer and the Buyer undertakes not to make any claims within this scope towards the Seller.
- The Seller shall be obliged to manufacture Products ordered by the Buyer and to release them to the Buyer at the place and time indicated in the Contract (Order execution period).
- The Seller shall mark the Products and deliver the documentation related to the Products to the Buyer pursuant to the binding legal regulations and the Contract or Framework Cooperation Agreement.
- The Seller provides and bears costs of standard packagings of Products.

§3 Orders and sales of Products

- Orders shall be placed by the Buyer in writing or via e-mail to the contact details presented by the Seller. The Order constitutes an offer as provided for in the Civil Code.
- The Order shall include:
 - designation of the Buyer, and name and surname of the person placing the Order on behalf of the Buyer,
 - designation of the ordered Products by providing names of Products or Products marking used by the Seller, as well as the quantity of Products,
 - price of Products,
 - day of collection of Products (Order execution period),
 - signature of the Buyer (in conformity with the representation rule, or of an ordering person authorized in advance by the Buyer) – in case of the Order placed in writing.
- In case where the names of Products or Products marking used by the Seller have not been specified, but on the basis of the details of the Order it is possible to designate the Products, it is assumed that the Order concerns Products described in such a way by the Seller.
- EXW (Incoterms 2010) shall apply to the concluded Contracts, unless the Parties have agreed on otherwise.
- The Buyer shall collect the Products in the agreed place of collection.
- At the moment of releasing the Products, the risk of loss or damage of Products being the subject of the sales is transferred to the Buyer.

§4 Collection of Products

4. When collecting the Products in accordance with the conditions set forth in § 4 clause 1 of the GSC, the Buyer shall check the quantity and quality of packagings of Products. The confirmation of the collection shall be noted down on a copy of Delivery Note or a consignment note (including CMR) or the discrepancy report and shall include:
 5. (i) date of the collection of Products, (ii) name and surname of persons collecting the Products, (iii) legible signature of persons collecting the Products, (iv) objections concerning the quality or quantity of the packagings or the Products.
 6. Raising objections regarding the quantity or the quality of Products does not release the Buyer from the obligation to pay the price within the period stipulated in the VAT invoice which includes the sale in part regarding the Products collected and not covered by the claim.
 7. In case the Seller accepts the objections regarding shortage or quality of Products – the Seller shall be obliged to supplement missing quantities or deliver the Products free of defects without undue delay.
 8. The Order execution period shall be deemed observed by the Seller, if the Seller releases the ordered Products to the Buyer in order to collect them within the time period agreed on by the Parties at the place of the collection of Products, unless the Products have not been collected due to reasons for which the Seller bears liability.
 9. In case of a delay in the collection of the ordered Products due to reasons the Buyer shall be liable for, the Seller may:
 10. at the cost and risk of the Buyer, deliver the ordered Products to the Buyer, which does not exclude the right of the Seller to redress damage resulting from the delay,
 11. keep safe the Products or hand over the Products for safekeeping at the cost and risk of the Buyer.
 12. In case the Seller fails to meet the Order execution period due to reasons for which the Seller bears liability, the Buyer shall be obliged – before the withdrawal from the Contract – to set for the Seller the additional period of at least 30 business days for the Order execution stipulated in the Contract.
 13. The Seller reserves the right to partial deliveries.
 14. The Buyer assures that the persons collecting the Products from the Seller will be authorized to such a collection of Products, and due to this fact he will not raise any objections within this scope towards the Seller.
- b. after a prior request for the Buyer to settle the price within the period of 7 (seven) days and its ineffective expiry – withdraw from the sales contract regarding the unpaid batch of Products or from all concluded, but not executed by the Seller by that day sales contracts for the Products concluded with the Buyer and/or
 - c. demand the prepayment of the full price for the next ordered batches of Products from the Buyer, unless the Buyer provides the Seller with the security for payment for the next batches of Products in a form satisfactory for the Seller or
 - d. shorten the payment period for the next batches of Products which is stipulated in § 6 Item 3 of GSC.
8. In case of a situation described in § 6 Item 7 letter b of GSC, the Seller shall have the right to sell to third parties the Products ordered by the Buyer, towards which the Seller withdrew from the Contract, which fact shall be approved by the Buyer.
9. The Parties mutually decide that the Buyer, without a prior written consent of the Seller, is not allowed to set off any claims which he is entitled to against the Seller with the mutual claims of the Seller against the Buyer regarding the sales of Products.

§5 Quality guarantee

1. Scope, time period of the guarantee granted by the Seller, as well as the claims procedure, rights of the Buyer and the obligations of the Seller resulting from the defects of Products revealed during the guarantee period are stipulated in a document of guarantee enclosed to the Products or delivered to the Buyer by the Seller in another way.
2. The Parties exclude the application of the statutory warranty for physical and legal defects of Products.
3. The Parties exclude the liability of the Seller for non-performance or improper performance of the Contract, including indirect damages, consequential damages, lost profits and tort liability, unless the damage is a result of willful misconduct of the Seller.

§6 Payments

1. The sale of Products shall be done in EUR or PLN currency, pursuant to the arrangements between the Parties.
2. The Price of Products shall be agreed on by the Parties.
3. The Buyer shall pay the Seller the price for the ordered Products pursuant to the issued VAT invoice, by a bank transfer to the bank account indicated in the abovementioned VAT invoice within the period of 14 days from its issuance, unless other payment date is stipulated in a separate arrangement of the Parties. The VAT invoice shall be issued on the day of releasing the Products to the Buyer.
4. The Buyer hereby authorizes the Seller to issue VAT invoice without a signature of the Buyer.
5. The Buyer shall bear the costs of the collective packaging (EUR-pallets) of Products, unless it is otherwise agreed on between the Parties.
6. The ownership of Products shall be transferred to the Buyer on the day the Buyer makes the payment for these Products and if the payment of the whole price is made before the releasing of the Products to the Buyer – the ownership shall be transferred at the moment of releasing the Products to the Buyer. The payment day shall be the day of crediting the bank account of the Seller.
7. In case of default in payment by the Buyer, the Seller shall have the right to:
 - a. withhold the delivery of the next batches of Products until any and all outstanding payments are settled by the Buyer (time period for the performance of delivery of the next batches of Products shall be extended by the time during which the Buyer was in default in payment) and/or

§7 Force majeure

1. Each of the Parties is released from executing the Contract for the duration of force majeure which renders it impossible or extremely difficult to execute the Contract. The other Party shall be immediately informed about the occurrence of force majeure.
2. Force majeure shall not waive the obligation of settling executed orders on the nearest possible date.
3. Force majeure shall be construed as circumstances independent of the Parties of external nature, such as: military conflict, flood, riots, terrorist attacks, strikes, actions of state authorities which render the execution of the Contract impossible, etc.
4. The time for executing the Order shall be automatically prolonged by the duration of force majeure.
5. If force majeure lasts longer than 12 (twelve) months, each of the Parties shall have the right to terminate the Contract effective immediately without bearing any liability for damages. The date of the Contract termination shall be the date of receiving the notification about the occurrence of force majeure. If the delivery is impossible, it shall be sufficient to officially authenticate the date of the Contract termination and inform the other Party about such fact at the first opportunity.

§8 Confidentiality of information

1. Any Confidential Information, as defined below, received during the execution of the Contract or before its concluding which concerns the other Party shall be confidential and shall not be made available to third parties, disclosed or used for any reasons other than pertaining to the execution of the Contract or the Framework Cooperation Agreement, without a consent of the Party it relates to.
2. Confidentiality applies to the confidential information of the Party, in particular the information constituting a business secret, including the information on production, know-how of the Seller, trade, finances, technology and organization (hereinafter referred to as: "Confidential Information").
3. The Party which received information shall be released from the obligation of confidentiality of Confidential Information only in the following cases:
 - a. on the condition of receiving a prior written consent of the other Party, in the scope covered by the consent;
 - b. when the demand to disclose Confidential Information shall originate in a judicial authority or any other authority which acts within its rights based on current legal regulations;
 - c. the information is or becomes publicly available without breach hereof.
4. The Party obliged to disclose Confidential Information to authority stipulated in § 8 Item 3 point b of GSC, shall inform the other Party within 5 (five) days about the existence of such an obligation.
5. The breach of the confidentiality clause shall entitle to demand from the other Party the payment of a contractual penalty in the amount of EUR 10,000 (ten thousand euro) for each breach. The reservation of contractual penalty shall not exclude the right to seek the payment of compensation exceeding the value of the reserved contractual penalty.

§9 Copyrights and industrial property rights

1. The Seller is entitled to the intellectual property rights and copyrights to the designs of Products, unless it is otherwise agreed on in writing by the Parties.

2. The Buyer hereby undertakes not to use the trademarks of the Seller („Marmite" or „Evermite") or any mark, name, domain name or designation that consists of or incorporates the abovementioned trademarks in any format, or otherwise is confusingly similar to these trademarks, unless it is done on the basis of and within the scope of an expressed written consent of the Seller.
3. With regard to the Products to the designs of which the Seller owns the intellectual property rights (e.g. copyrights), the Buyer shall be obliged towards the Seller not to: (a) manufacture Products being the subject matter of the Contract, as well as (b) commission the production of Products being the subject matter of the Contract to third parties. The Buyer shall not use in any way the designs of the Products, as well as know-how obtained under or in relation with the Contract. The breach of any of the obligations mentioned hereinabove shall entitle the Seller to demand from the Buyer the payment of contractual penalty in the amount of EUR 500,000 (five hundred thousand euro) for each breach. The reservation of the contractual penalty shall not exclude the right to seek the payment of compensation exceeding the value of the reserved contractual penalty.

§10 Dispute resolution

1. Any disputes arising in connection with the Contract shall be settled by the Polish common court having a jurisdiction over the seat of the Seller.
2. The Seller hereby reserves the right to assert his claims also in the court having jurisdiction over a domicile or a seat of the Buyer.

§11 Final provisions

1. GSC and the Contract shall be governed by the Polish law.
2. In case of any matters not stipulated in the Contract and GSC, the provisions of the Civil Code shall apply, unless the Contract or GSC stipulates that the regulation on a particular matter included therein is in-depth, and thereby the application of the provisions of the Civil Code is excluded.
3. The invalidity or ineffectiveness of any GSC provisions shall not influence the validity or effectiveness of other GSC provisions. In such a case, the appropriate rules of law shall prevail over the invalid or ineffective GSC provisions.
4. The Buyer is not entitled to assign any rights under the Contract to any third party without a prior written consent of the Seller.
5. Titles and numbers of paragraphs in GSC shall be only treated as information, and they shall not influence the interpretation of GSC.
6. Any notifications or statements provided for in GSC to be valid shall be done in writing, unless it is otherwise stipulated in GSC.
7. The Parties shall indicate persons authorized to place and accept on their behalf the statements related with the Contract performance, including placing Orders and accepting claims regarding Products, as well as they shall be obliged to inform each other about the changes regarding these persons or their contact details. Should the Party not notify of the change of a contact person or their contact details, the correspondence sent to the existing address shall be deemed affectively delivered.

Index by size

WASHBASINS

			Page			
300mm				WB Sussy 600C	600x460x115	/69
WB 0506 370C	370x420x190	/42		WB Amelia 600C	600x460x140	/62
WB 0013 380C	380x380x124	/48		WB 0005 600C	600x460x149	/77
WB OLGA 380C	380x380x132	/31		WB 0517 600C	600x470x144	/75
400mm				WB Estella 600C	600x500x122	/59
WB Fontino 400	400x200x122	/85		WB Lairetta New 600C	600x500x142	/67
WB Ida 400	400x220x91	/88		WB 0505 600C	600x550x102	/81
WB Gina 400	400x220x102	/89		WB 0001 610C	610x460x142	/61
WB Penelope 400	400x220x106	/86		WB 0506 620C	620x420x190	/43
WB 0101 400C	400x400x100	/39		700mm		
WB 0508 400C	400x400x101	/27		WB Josefine Slim 700C	700x400x150	/63
WB Octavia 400C	400x400x117	/37		WB Yrsa 700C	700x450x150	/65
WB 0509 400C	400x400x122	/28		WB Sussy 700C	700x460x115	/69
WB 0512 400C	400x400x122	/29		WB Estella 700C	700x500x122	/59
WB Olga 400C	400x400x140	/32		WB Lairetta New 700C	700x500x142	/67
WB Olga 414C	414x414x152	/33		WB 0001 610C	710x460x142	/61
WB Mona 420C	420x420x160	/35		WB 0100 710C	710x450x132	/50
WB 0506 420C	420x420x190	/41		WB Amelia 750C	750x460x140	/62
WB 0514 440L	440x220x105	/84		WB 0001 750C	750x460x142	/61
WB 0513 440C	440x220x115	/83		800mm		
WB Octavia 450C	450x380x117	/38		WB Penelope 800	800x220x106	/87
WB Octavia 500C	480x380x107	/36		WB Selina 800C	800x350x102	/71
500mm				WB Josefine Slim 800C	800x400x150	/63
WB 0011 500C	500x300x124	/45		WB YRSA 800C	800x450x150	/65
WB 0012 500C	500x350x124	/40		WB Sussy 804C	800x460x115	/69
WB 0512 500C	500x400x122	/30		WB Lairetta New 800C	800x500x142	/67
WB 0515 500C	500x400x147	/78		WB 0072 800C	800x500x152	/73
WB 0004 500C	500x400x850	/54		WB 0001 F 810C	810x460x142	/61
WB Yrsa 500C	500x450x120	/65		WB 0522 810C	810x460x142	/79
WB Penelope 550	550x220x107	/87		900mm		
WB 0012 550C	550x430x800	/55		WB Selina 900L	900x350x102	/71
WB 0011 550C	550x430x850	/53		WB Selina 900R	900x350x102	/71
WB 0100 550C	550x450x132	/51		WB Selina 900R	900x400x150	/71
WB Grace 564C	564x323x173	/46		WB Yrsa 900C	900x450x150	/65
WB Grace 590C	590x310x113	/47		WB Sussy 900C	900x460x115	/69
600mm				WB Amelia 900C	900x460x140	/62
WB 0040 600C	600x361x160	/49		WB 0001 900C	900x460x142	/61
WB Selina 600C	600x350x102	/71		WB 0516 900C	900x460x169	/76
WB 0011 600C	600x350x124	/44		WB Estella 900C	900x500x122	/59
WB 0017 600C	600x360x150	/48		WB 0519 500C	900x500x141	/57
WB Josefine Slim 600C	600x400x150	/63		WB Lairetta New 900C	900x500x142	/67
WB Yrsa 600C	600x450x150	/65		WB Lairetta New 900R	900x500x142	/67

WB Laretta New 900L	900x500x142	/67
WB 0072C	900x500x152	/73
WB 0510 900C	900x500x194	/72
WB 0001 910C	910x460x142	/61

1000mm

WB Sussy 1000C	1000x460x115	/69
WB 0072 1000C	1000x500x152	/73
WB 0001 1010C	1010x460x142	/61
WB 0001 1010L	1010x460x142	/61
WB 0001 1010R	1010x460x142	/61
WB 0522 1010C	1010x460x142	/79

1200mm

WB Selina 1200C	1200x350x102	/71
WB Josefina Slim 1200C	1200x400x150	/63
WB Josefina Slim 1200D	1200x400x150	/63
WB Yrsa 1200C	1200x450x150	/65
WB Yrsa 1200D	1200x450x150	/65
WB Yrsa 1200 C/D	1200x450x150	/65
WB Sussy 1200C	1200x460x115	/69
WB Sussy 1200D	1200x460x115	/69
WB Amelia 1200C	1200x460x140	/62
WB Amelia 1200D	1200x460x140	/62
WB 0001 F 1200C	1200x460x142	/61
WB Estella 1200C	1200x500x122	/59
WB Estella 1200D	1200x500x122	/59
WB Laretta New 1200C	1200x500x142	/67
WB Laretta New 1200R	1200x500x142	/67
WB Laretta New 1200L	1200x500x142	/67
WB Laretta New 1200D	1200x500x142	/66
WB 0072 1200C	1200x500x152	/73
WB 0001 1210D	1210x460x142	/61
WB 0001 1210L	1210x460x142	/61
WB 0001 1210R	1210x460x142	/61
WB 0522 1210C	1210x460x142	/79

1400mm

WB ESTELLA 1400D	1400x500x122	/59
WB Laretta New 1400D	1400x500x142	/67
WB 0072 1400C	1400x500x152	/73
WB 0001 1410D	1410x460x142	/67

1500mm

WB 0001 1500C	1500x460x142	/61
WB 0001 1500D	1500x460x142	/61
WB Laretta New 1500R	1500x500x142	/67
WB Laretta New 1500L	1500x500x142	/67
WB Laretta New 1500D	1500x500x142	/67

1600mm

WB 0072 1600C	1600x500x152	/73
---------------	--------------	-----

SHOWER TRAYS

Page

700x700mm

ST Klara 700	/106
--------------	------

800x760mm

ST Klara 800x760	/107
------------------	------

800x800mm

ST 0024 800x800	/101
ST 0035 800x800	/105
ST 0035 800x800	/105
ST Klara 800x800	/106
ST Klara 800x800	/106
ST 0023 800x800	/99
ST 0009 800x800	/97
ST 0008 800x800	/103

900x700mm

ST Klara 900x800	/107
------------------	------

900x800mm

ST Klara 900x700	/107
------------------	------

900x900mm

ST 0024 900x900	/101
ST 0035 900x900	/105
ST 0035 900x900	/105
ST Klara 900x900	/106
ST Klara 900x900	/106
ST 0023 900x900	/99
ST 0009 900x900	/97
ST 0008 900x900	/103

1000x700mm

ST 0024 1000x700	/101
ST 0035 1000x700	/105
ST KLARA 1000x700	/107
ST 0023 1000x700	/99
ST 0009 1000x700	/97
ST 0008 1000x700	/103

1000x800mm

ST 0024 1000x800	/101
ST 0035 1000x800	/105
ST Klara 1000x800	/107
ST 0023 1000x800	/99
ST 0009 1000x800	/97
ST 0008 1000x800	/103
ST Klara 1000x900	/107

1000x1000mm

ST Klara 1000x1000	/106
ST Klara 1000x1000	/106

1100x800mm

ST Klara 1100x800	/107
-------------------	------

SHOWER TRAYS

Page

1200x700mm

ST 0024 1200x700	/101
ST 0035 1200x700	/105
ST Klara 1200x700	/107
ST 0023 1200x700	/99
ST 0009 1200x700	/97
ST 0008 1200x700	/103

1200x760mm

ST KLARA 1200x760	/107
-------------------	------

1200x800mm

ST 0024 1200x800	/100
ST 0035 1200x800	/104
ST Klara 1200x800	/107
ST 0023 1200x800	/98
ST 0009 1200x800	/96
ST 0008 1200x800	/102

1200x900mm

ST 0024 1200x900	/101
ST 0035 1200x900	/105
ST Klara 1200x900	/107
ST 0023 1200x900	/99
ST 0009 1200x900	/97
ST 0008 1200x900	/103

1300x800mm

ST Klara 1300x800	/107
-------------------	------

1300x900mm

ST Klara 1300x900	/107
-------------------	------

1400x700mm

ST 0024 1400x700	/101
ST Klara 1400x700	/107
ST 0035 1400x700	/105
ST 0009 1400x700	/97
ST 0008 1400x700	/103
ST 0023 1400x700	/99

1400x800mm

ST 0024 1400x800	/101
ST Klara 1400x800	/107
ST 0035 1400x800	/105
ST 0009 1400x800	/97
ST 0008 1400x800	/103
ST 0023 1400x800	/99

1400x900mm

ST 0024 1400x800	/101
ST Klara 1400x800	/107
ST 0035 1400x800	/105
ST 0009 1400x800	/97
ST 0008 1400x800	/103
ST 0023 1400x800	/99

1500x800mm

ST Klara 1500x800	/107
-------------------	------

1500x900mm

ST Klara 1500x900	/107
-------------------	------

1600x700mm

ST Klara 1600x700	/107
ST 0024 1600x700	/101
ST 0035 1600x700	/105
ST 0009 1600x700	/97
ST 0008 1600x700	/103
ST 0023 1600x700	/99

1600x700mm

ST KLARA 1600x700	/107
ST 0024 1600x700	/101
ST 0035 1600x700	/105
ST 0009 1600x700	/97
ST 0008 1600x700	/103
ST 0023 1600x700	/99

1600x800mm

ST Klara 1600x800	/107
ST 0024 1600x800	/101
ST 0035 1600x800	/105
ST 0009 1600x800	/97
ST 0008 1600x800	/103
ST 0023 1600x800	/99

1600x900mm

ST 0039 1600x900	/94
ST 0040 1600x900	/95
ST Klara 1600x900	/107
ST 0038 1600x900	/93

1700x700mm

ST Klara 1700x700	/107
-------------------	------

1700x750mm

ST Klara 1700x750	/107
-------------------	------

1700x800mm

ST Klara 1700x800	/107
-------------------	------

1700x900mm

ST Klara 1700x900	/107
-------------------	------

1800x800mm

ST Klara 1800x800	/107
-------------------	------

1800x900mm

1800x900mm	/107
------------	------

BATHTUBS

Page

1500mm

BT RITA 1560 with overflow	1560x700x560	/121
BT RITA 1560 without overflow	1560x700x560	/121
BT 0010 with overflow	1565x700x580	/115
BT 0010 without overflow	1565x700x580	/115
BT Romance 1570 with overflow	1570x720x665	/139
BT Romance 1570 without overflow	1570x720x665	/139
BT 0071	1580x770x630	/116
BT 0052 BTW with overflow	1580x860x580	/127
BT 0052 BTW without overflow	1580x860x580	/127
BT 0012 without overflow	1590x705x618	/135
BT 0012 with overflow	1590x705x618	/135

1600mm

BT Cecilia	1600x700x615	/113
BT 0016 without overflow	1600x740x600	/123
BT 0016 with overflow	1600x740x600	/123
BT 0049	1600x787x615	/111
BT 0011 with overflow	1605x805x600	/124
BT 0011 without overflow	1605x805x600	/124
BT 0050	1630x800x600	/133
BT 0055	1676x813x610	/130
BT 0056	1676x787x610	/131
BT Romance 1680 with overflow	1570x720x665	/137
BT Romance 1680 without overflow	1570x720x665	/137

1700mm

BT Silvia	1700x700x600	/112
Rita XL with overflow	1700x770x620	/118
BT Rita XL with overflow	1700x770x620	/119
BT Rita XL without overflow	1700x770x620	/119
BT 0054	1700x786x634	/128
BT 0065	1700x800x610	/117
BT 0057 Skirted	1700x839x615	/132
BT 0045	1745x753x600	/129
BT Romance 1745 with overflow	1745x820x665	/141
BT Romance 1745 without overflow	1745x820x665	/141
BT Romance 1750 with overflow	1750x800x455	/143
BT Romance 1750 without overflow	1750x800x455	/143

Index A-Z

WASHBASINS

WB 0001	/60
WB 0004 500C	/54
WB 0005 600C	/77
WB 0011 500C	/45
WB 0011 550C	/53
WB 0011 600C	/44
WB 0012 500C	/40
WB 0012 550C	/55
WB 0013 380C	/34
WB 0017 600C	/48
WB 0040 600C	/49
WB 0072	/73
WB 0100 550C	/51
WB 0100 710C	/50
WB 0101 400C	/39
WB 0505 600C	/81
WB 0506 370C	/42
WB 0506 420C	/41
WB 0506 620C	/43
WB 0508 400C	/27
WB 0509 400C	/28
WB 0510	/72
WB 0512 400C	/29
WB 0512 500C	/30
WB 0513 440C	/83
WB 0514 440L	/84
WB 0515 500C	/78
WB 0516 900C	/76
WB 0517 600C	/75
WB 0519	/57
WB 0522	/79
WB Amelia	/62
WB Estella	/58
WB Fontino 400	/85
WB Gina 400	/89
WB Grace 564C	/46
WB Grace 590C	/47
WB Ida	/88
WB Josefina Slim	/63
WB Lairetta New	/66
WB Mona 420C	/35
WB Octavia 400C	/37
WB Octavia 450C	/38
WB Octavia 480C	/36
WB Olga 382C	/31
WB Olga 400C	/32
WB Olga 414C	/33
WB Penelope	/86
WB Selina	/70
WB Sussy	/68
WB Yrsa	/64

SHOWER TRAYS

ST 0008	/102
ST 0009	/96
ST 0023	/98
ST 0024	/100
ST 0035	/104
ST 0038	/93
ST 0039	/94
ST 0040	/95
ST Klara	/106

BATHTUBS

BT 0010	/114
BT 0011	/124
BT 0012	/134
BT 0016	/122
BT 0045 1745	/129
BT 0049 1600	/111
BT 0050 1630	/133
BT 0052 1580	/126
BT 0054 1700	/128
BT 0055 1680	/130
BT 0056 1680	/131
BT 0057 1700	/132
BT 0065 1700	/117
BT 0071 1580	/116
BT Cecilia 1600	/113
BT Rita	/120
BT Rita XL	/118
BT Romance 1570	/138
BT Romance 1680	/136
BT Romance 1745	/140
BT Romance 1750	/142
BT Silvia 1700	/112



marmite.eu

Marmite Sp. z o.o.
ul. Przemysłowa 4, Zakrzewo
62-070 Dopiewo, Poland
e: marmite@marmite.eu

Marmite US Office
3201 Dallas Parkway,
Suites 190 & 200,
Frisco, TX 75034