

TECHNICAL DATA SHEET

VALSIR® FLUSHING SYSTEMS

ARIAPUR80



valsir®
QUALITY FOR PLUMBING

ARIAPUR80

Characteristics of ARIAPUR80

Technical data

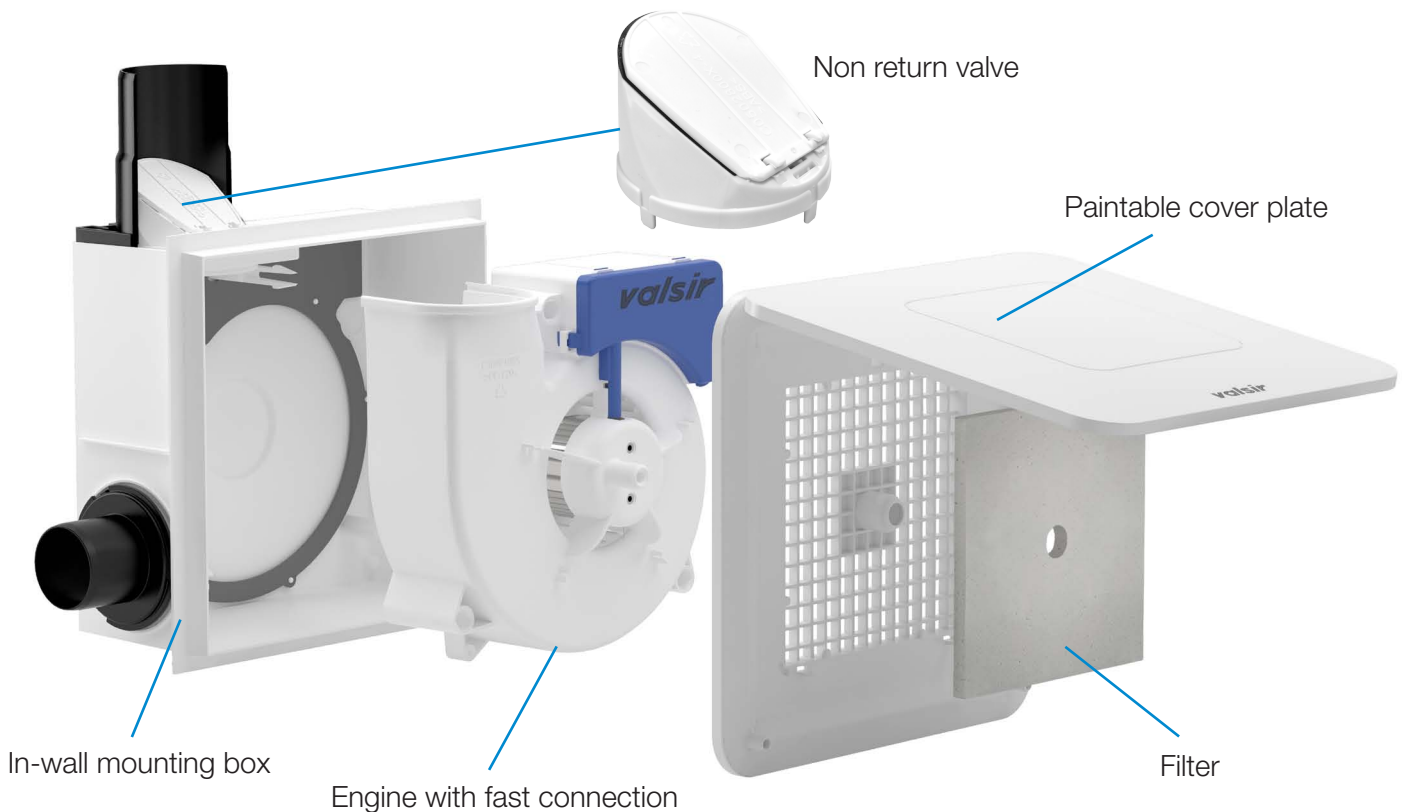
	Min. speed	Max. speed
Potential difference	220 V	
Frequency	50 Hz	
Power supply	22 W	29 W
Waterproof rating	IP x 5	
Inlet diameter	50 mm	
Outlet diameter	75 mm / 80 mm	

Performance data

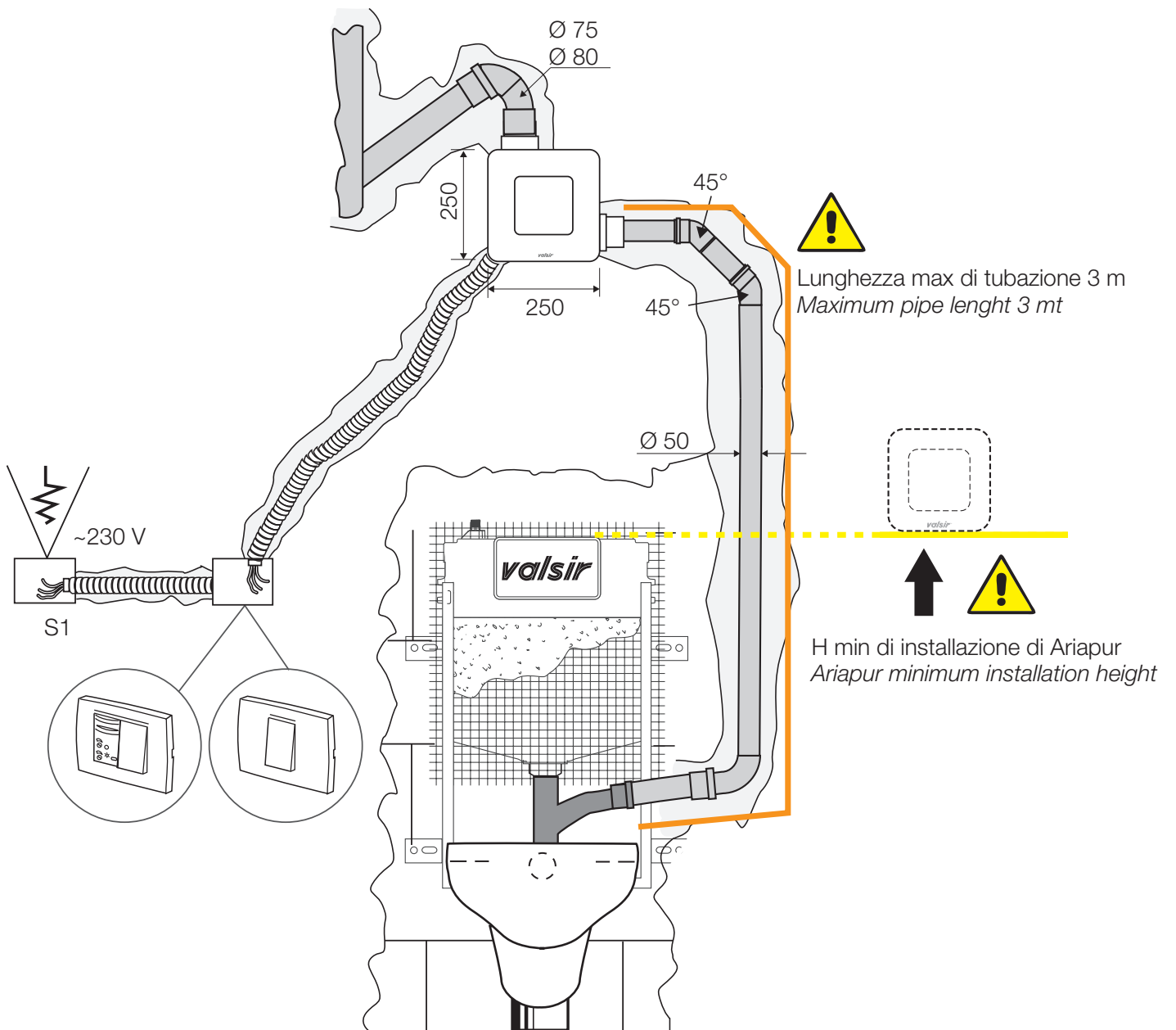
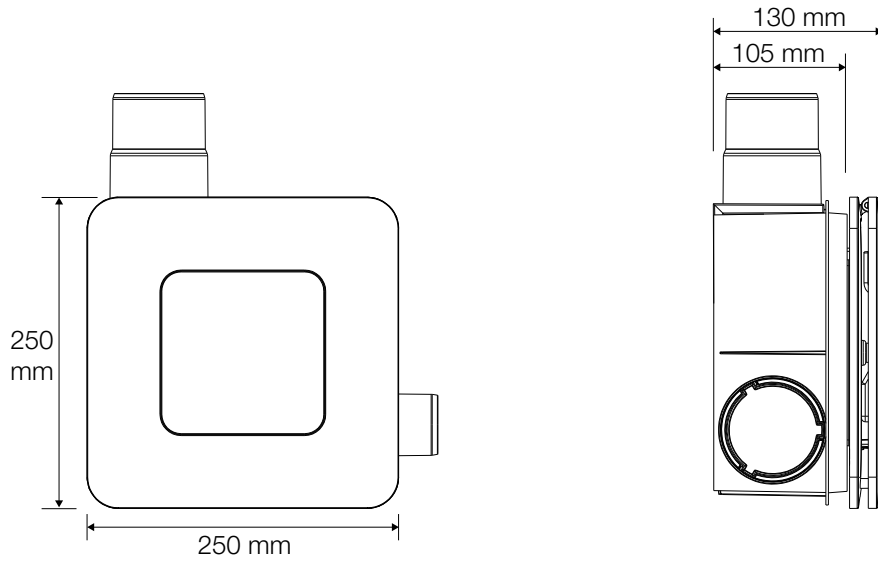
Noise level at 3 m. distance	31 dB(A)	35 dB(A)
Air flow rate	65 m ³ /h	80 m ³ /h
Max negative pressure	163 Pa	173 Pa

Compatibility

In-wall Valsir cisterns	Tropea S, Winner S
-------------------------	--------------------

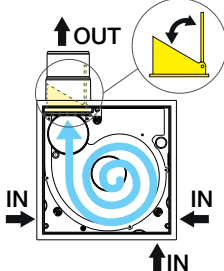
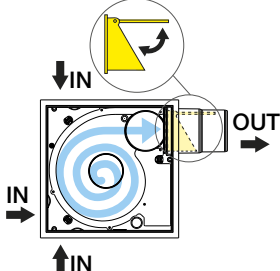
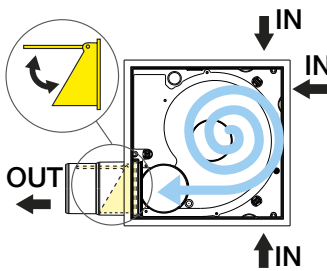
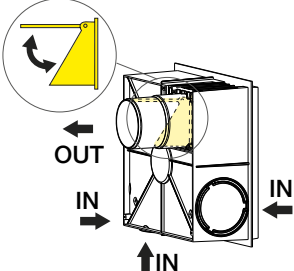
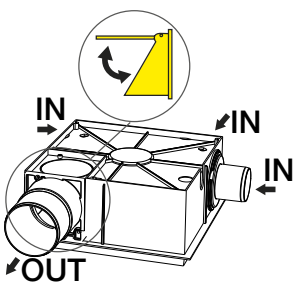
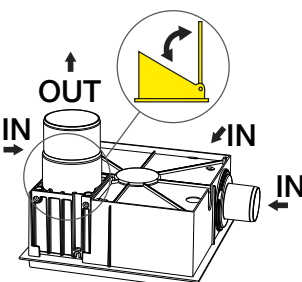


Size:

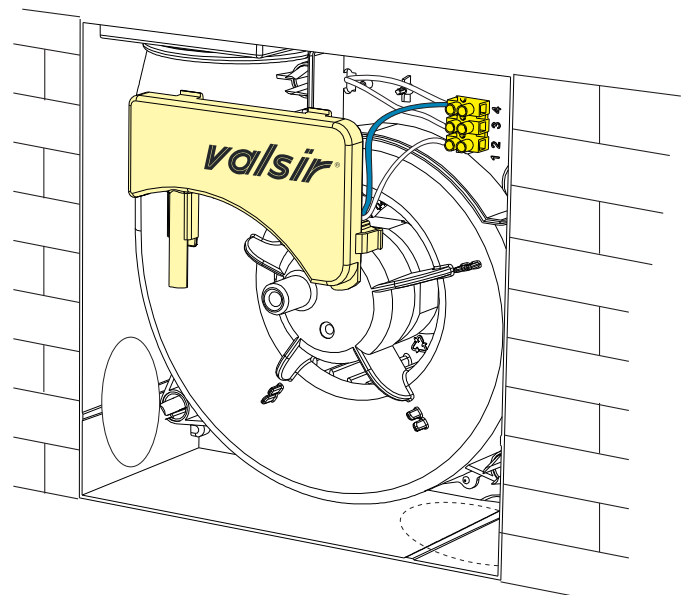
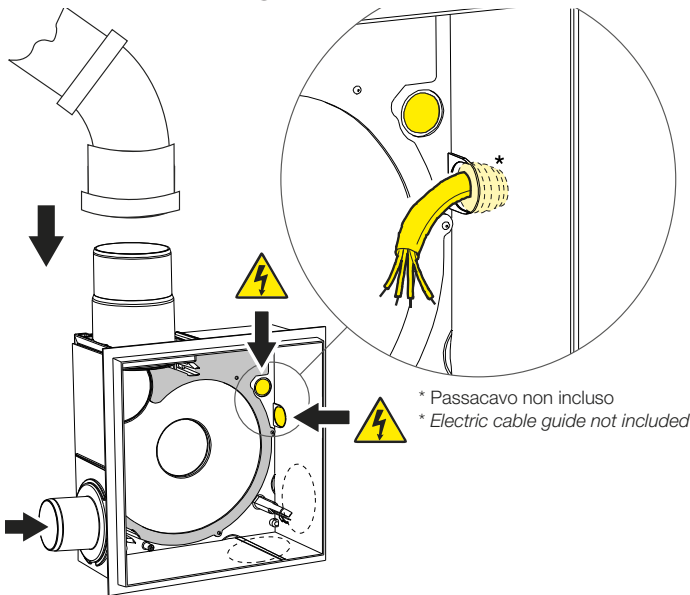



ASSEMBLY:

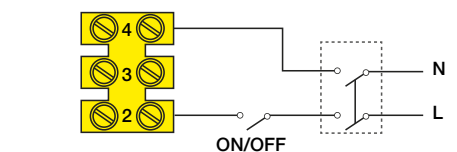
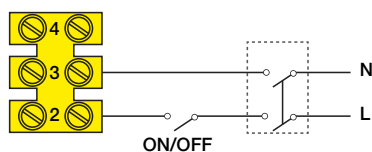
Positioning of the non-return valve

<p>Discharge upwards or ceiling installation.</p>	<p>Discharge direction to the right.</p>	<p>Discharge direction to the left.</p>	<p>Discharge direction to the back.</p>
			
<p>Lateral connection for false ceiling installation</p>		<p>Upward connection for false ceiling installation</p>	
			

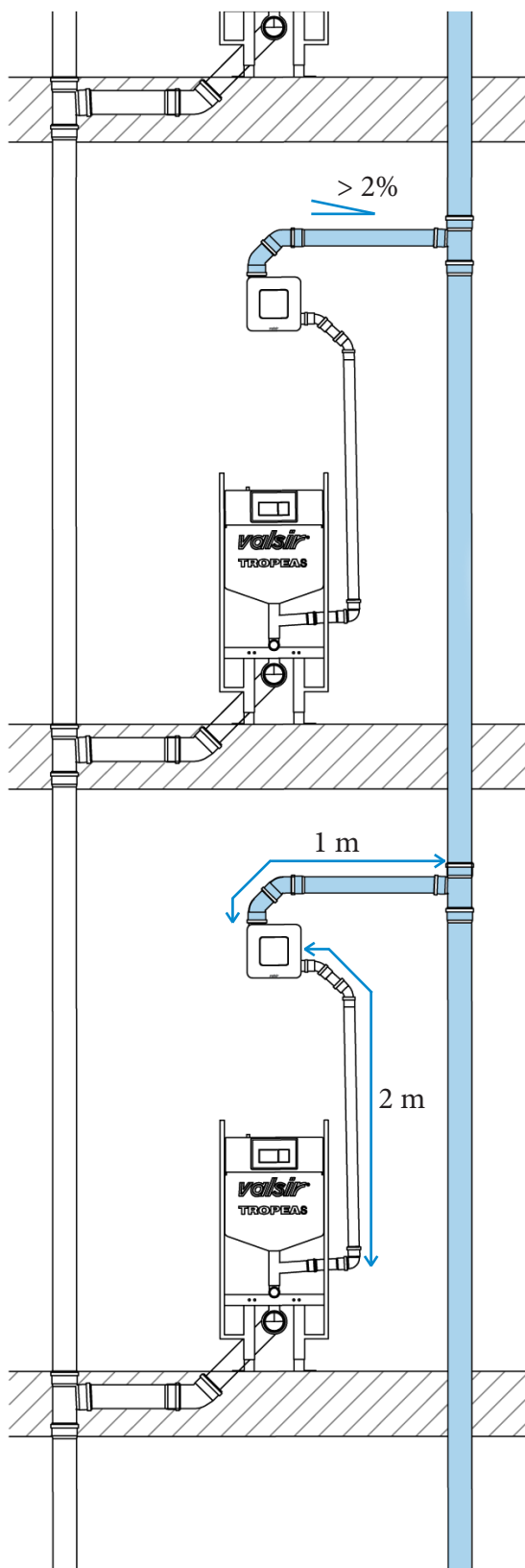
Electric wiring



 THE ELECTRICAL WIRING MUST BE CARRIED OUT ONLY BY HIGHLY QUALIFIED PERSONNEL



Sizing of the dedicated ventilation stack of ARIAPUR80



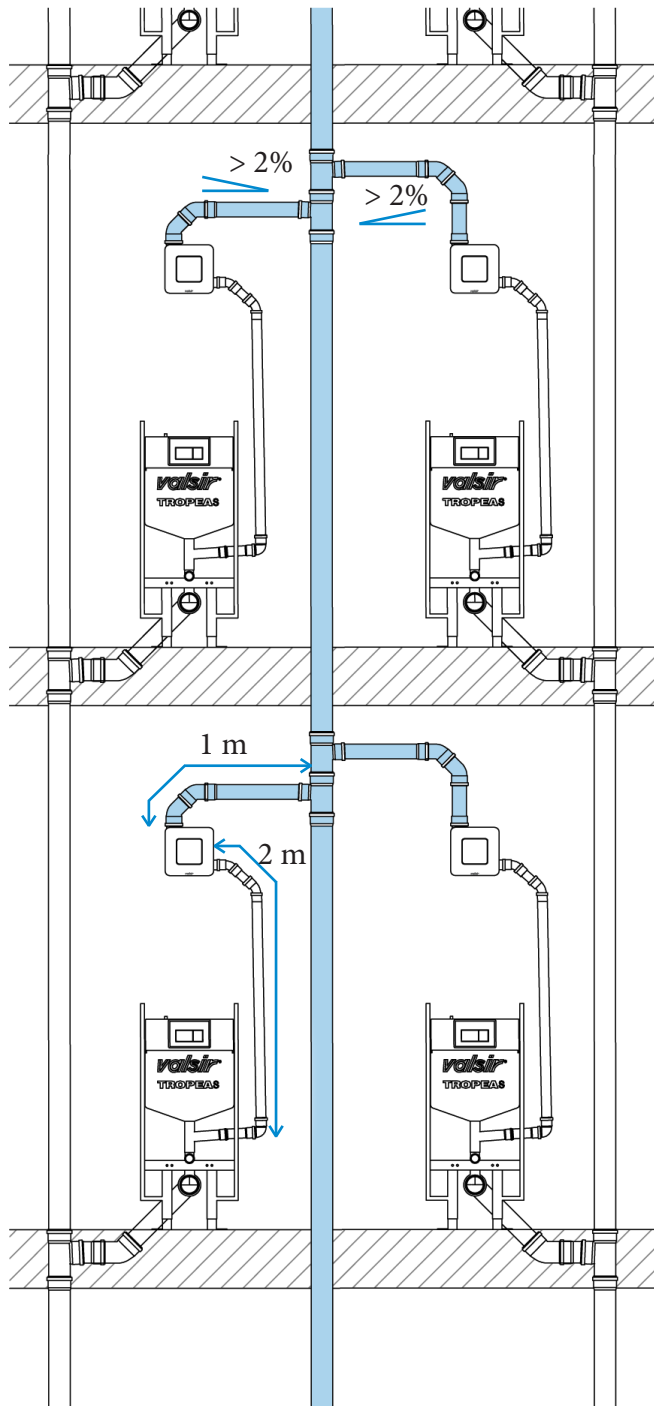
Configuration with nr. 1 Ariapur80 for each floor *

Number of floors	Ariapur ventilation stack diameter [mm]
1	75
2	75
3	75
4	90
5	110
6	110
7	125
8	125
9	160
10	160
11	160
12	200
13	200
14	200
15	200
16	200
17	200
18	250
19	250
20	250
21	250
22	250
23	250
24	250
from 25 to 35	315
from 36 to 52	400
from 53 to 71	500

* The diameter of the connection branch between Ariapur80 and column is D= 75 mm, nr 2 45° bends and the branch of connection to the stack are considered in the connection. The admissible flow rate of the most disadvantaged device is 64 m³/h and the air speed limit in the system is 10 m/s. The characteristics of pressure drop of the pipes are referred to the Valsir waste systems.

Sizing of the dedicated ventilation stack of ARIAPUR80

Configuration with nr. 2 Ariapur80 for each floor **



Number of floors	Ariapur ventilation stack diameter [mm]
1	75
2	90
3	110
4	110
5	125
6	160
7	160
8	200
9	200
10	200
11	200
12	250
13	250
14	250
15	250
16	315
17	315
18	315
19	315
20	315
21	315
22	315
from 23 to 33	400
from 34 to 45	500

** The diameter of the connection branch between Ariapur80 and column is D= 75 mm, nr 2 45° bends and the branch of connection to the stack are considered in the connection. The admissible flow rate of the most disadvantaged device is 64 m³/h and the air speed limit in the system is 10 m/s. The characteristics of pressure drop of the pipes are referred to the Valsir waste systems.

PLUMBING

WASTE SYSTEMS



SUPPLY SYSTEMS



GAS SYSTEMS



FLUSH SYSTEMS



BATHROOM SYSTEMS



TRAPS



RADIANT SYSTEMS



DRAINAGE SYSTEMS



HRV SYSTEM



ACADEMY



SEWER SYSTEMS



WATER TREATMENT



BUILDING

valsir[®]
QUALITY FOR PLUMBING

VALSIR S.p.A.
Località Merlaro, 2
25078 Vestone (BS) - Italy
Tel. +39 0365 877.011
Fax +39 0365 81.268
e-mail: valsir@valsir.it

www.valsir.com

Soggetta all'attività di direzione e coordinamento ex art. 2497 bis C.C. da parte di Silmar Group S.p.A. - Codice Fiscale 02075160172

T02-23170 - Ottobre 2018